

SEASON'S GREETINGS WALL HANGING®

A Janine Babich Design

Fabric preparation prior to embroidery & construction:

Linen for the background behind the embroidery-

- One 12" x 12½" rectangle, fuse woven fusible interfacing to the reverse side.
- On the reverse side use a Frixion (a heat removable marker) pen to lightly draw 3" cross hairs 4¾" down and 4¾" to the left of the upper right corner. **Diagram 1**

Print fabric for upper & lower borders and binding- ¼ yard, cut to:

- Two 2¼" x WOF (width of fabric) strips, join end to end with a mitered seam, trim the seam allowance to ¼" in width, press the seam allowance open and then press the entire strip in half lengthwise to create an 1 ⅛" wide binding, set aside until later.
- One 3" x 11" strip for the upper border (this is a bit longer than needed, you will trim it to size later)
- One 4½" x 11" strip for the lower border (this is a bit longer than needed, you will trim it to size later)

Appliqué fabric -

- One 4" x 6½" rectangle for the snowman, fuse woven interfacing to the reverse side and then fuse fusible web to the interfacing.
- One 2" x 2½" for the hat, fuse fusible web to the reverse side

Lettering fabric-

- One 7" x 12" rectangle, fuse woven interfacing to the reverse side and then spray with starch and press until dry. **Note: do not skip this step, the lettering is a wide satin stitch and will draw the fabric in unless the fabric is adequately stiffened.**

Decorative trim- 24" of ¼" wide decorative trim (ribbon, rick rack, bias tape or buttons...you choose).

Backing fabric-

- One 11" x 18" rectangle
- One 4¾" x 10" rectangle for the hanging sleeve

Fusible fleece- cut one 11" x 18" rectangle

Embroidery- the Season's Greetings lettering rectangle:

- Hoop a crisp tearaway stabilizer and load the machine with your choice of thread color for the snowflake border adjacent to the lettering. Attach the hoop to the machine and stitch Color 1, the fabric placement line directly on the stabilizer. **Diagram 2**
- Remove the hoop from machine, spray the interior of the placement line with spray adhesive and position the lettering rectangle so that one short end aligns with the upper edge of the placement line (the fabric is wider and longer than the placement line). **Diagram 3** Return the hoop to the machine and proceed to stitch the fabric basting stitch and snowflake borders.

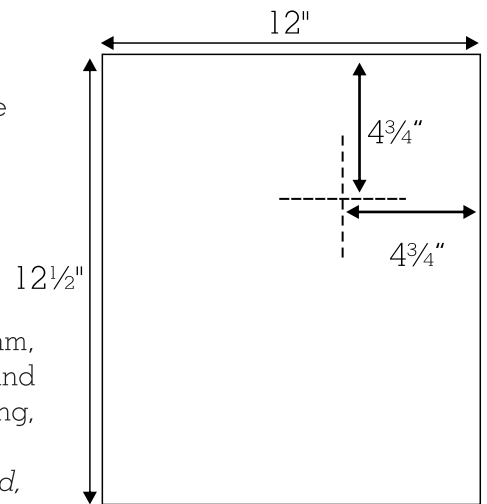


Diagram 1

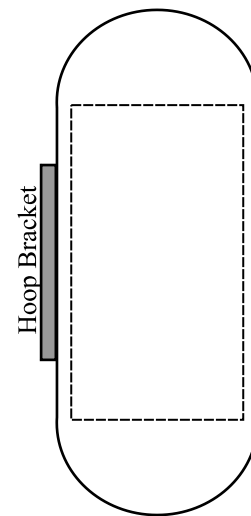


Diagram 2

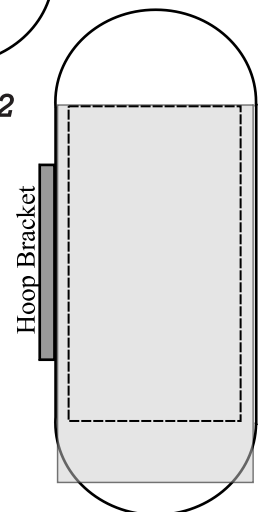


Diagram 3