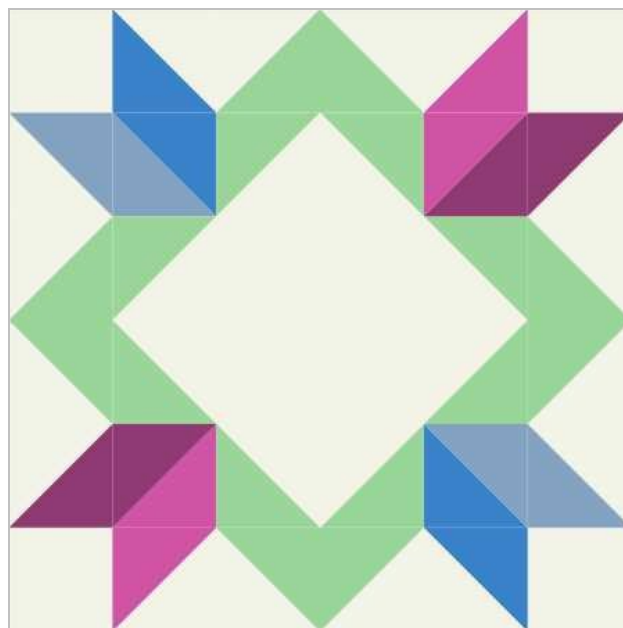


Sisterhood Sampler Block 24

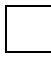
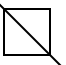
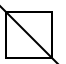
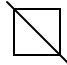
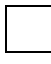
Jenn

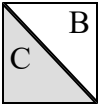
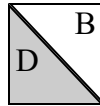
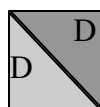


Sweet Jenn steps into Seven Sisters Quilt Shop and makes it a prettier place just by being in the room. Those around her are drawn to her by her peaceful mannerisms, and she makes new friends easily. Even fabric responds well to Jenn's gentle hands and her lovely piecing is admired by quilters who have many years of experience. She graciously receives compliments and humbly returns the honor to others. Jenn takes in projects for other quilters, carefully finishing the steps they don't understand or care to do themselves. The quilters are always pleased with what they receive back. Jenn's detailed work says much about who she is. Seven Sisters Quilt Shop feels blessed to know Jenn and is honored to include her as such a beautiful part of the Sisterhood of Quilters.



Jenn

A	D	B	B	C	C	B	B	D	A
B	D	D	C	B	B	C	D	D	B
B	C	B	E				B	C	B
B	C	B	E				B	C	B
B	D	D	C	B	B	C	D	D	B
A	D	B	B	C	C	B	B	D	A

- A - (4) light 1 1/2" 
- B - (12) light 1 7/8" 
- C - (8) medium 1 7/8" 
- D - (4) dark & (4) medium 1 7/8" 
- E - (1) 2 1/2" 

1.  -make 16
2.  -make 4 with dark D
-make 4 with medium D
3.  -make 4 with dark & medium D
4.  -make 4
5.  -make 4
6. Finish block according to diagram.