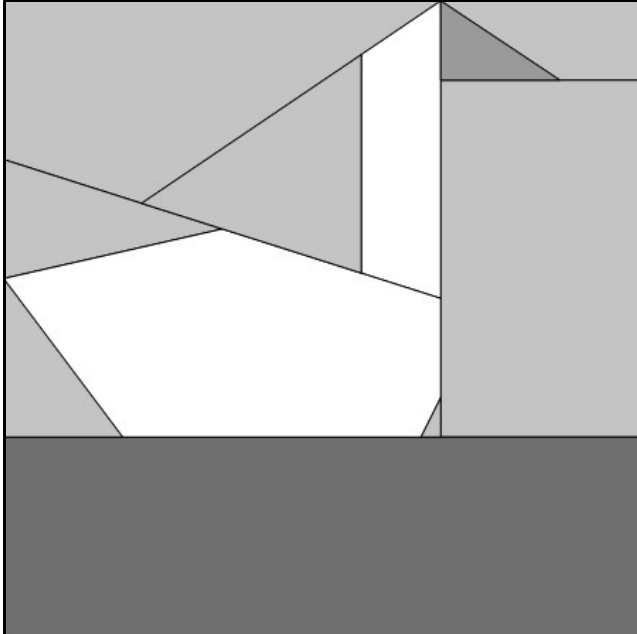
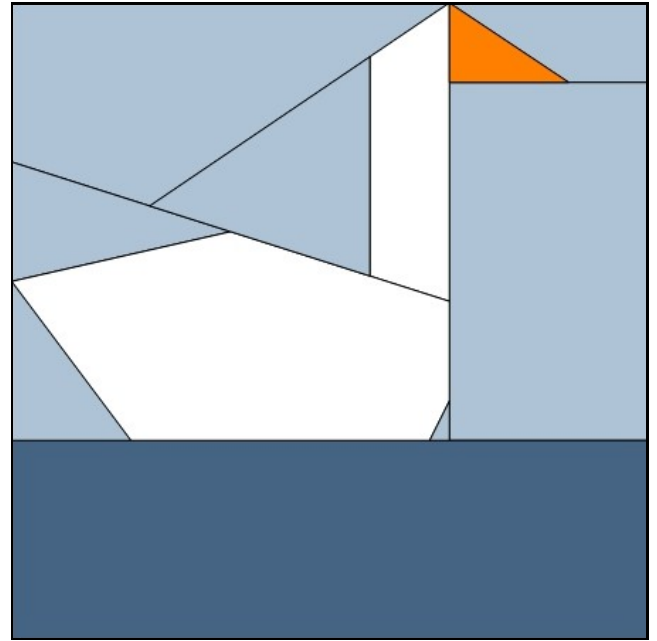
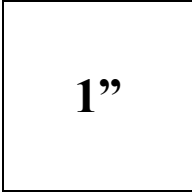
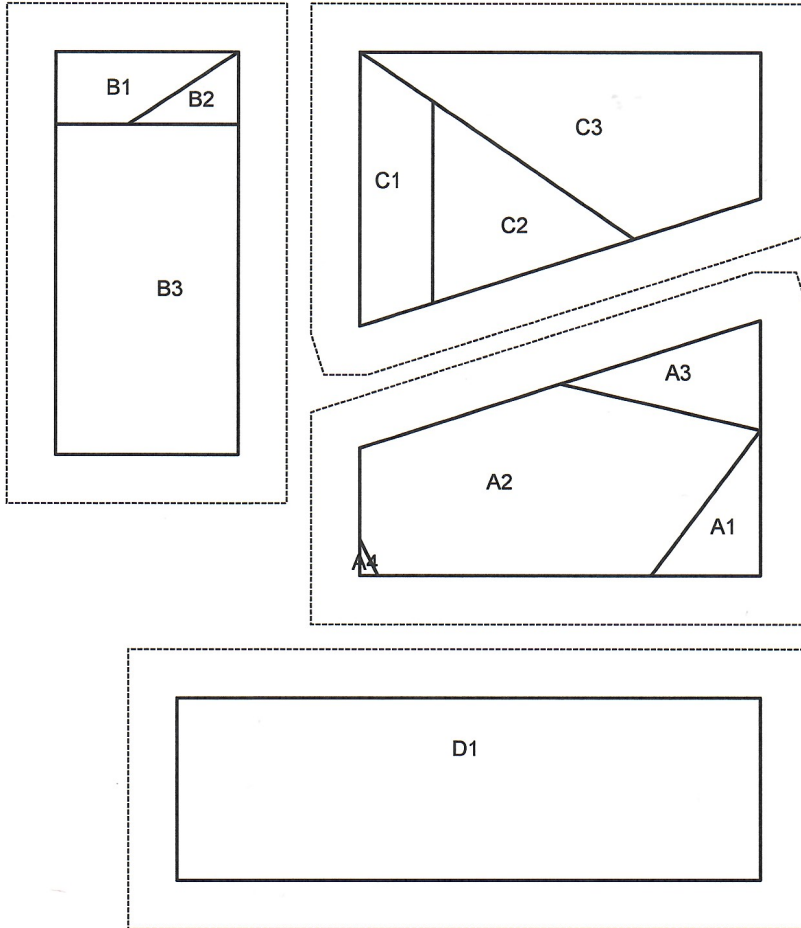


# Block 62: Young Queen



1. Print the Foundation Paper Piecing pattern on the following page. Cut each section out larger than printed.
2. Use the Foundation Paper Piecing method to complete each section of the block. (If you are unsure of this method, you can find General Instructions and some practice blocks on the [FREE PATTERNS](#) page of Seven Sisters Quilt Shop's website. \*Remember to use a smaller stitch length than normal.)
3. Join Section A to C, then add Section B. Add D last. Trim block and remove paper.



Note:  
Make sure this square measures 1" after you have printed this page.

This will ensure your block will turn out 3-1/2" unfinished.