

MADE *moda* with love

Simple Bag

14" x 14¾" x 2"

Supplies:

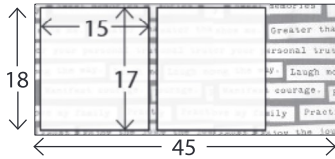
Bag: ½ yard (Odds & Ends #12705 14)

Handles: one Fat 8th (9" x 22") (Odds & Ends #37049 14)

Cutting:

Bag: 2-15" x 17" rectangles

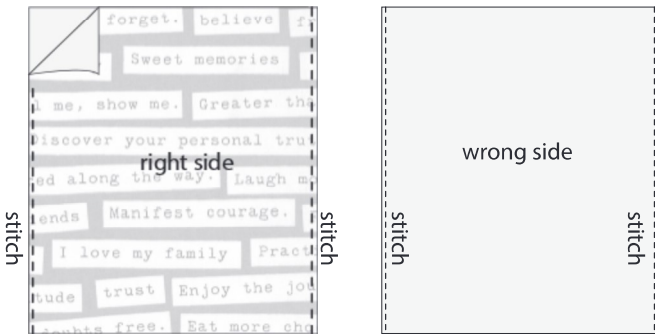
Handles: 2-4" x 22" strips



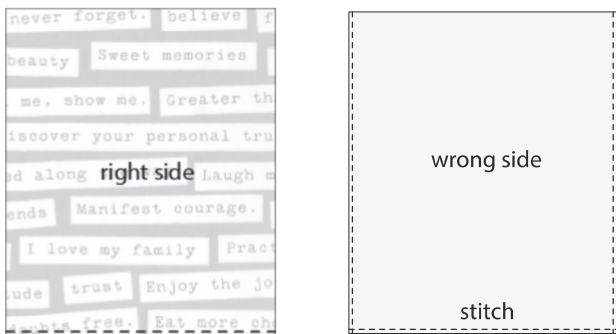
Construction (Use ¼" seams.)

1 Bag:

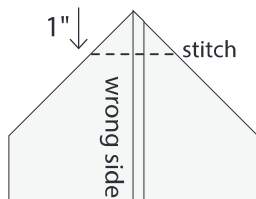
- (A) Layer the 2 Bag rectangles *wrong sides together*.
Stitch the sides. Turn the Bag *right sides together*,
stitch the sides, enclosing the seam.



- (B) Turn the Bag right side out. Stitch the bottom of the Bag.
Turn the Bag wrong side out, stitch the bottom, enclosing
the seam.

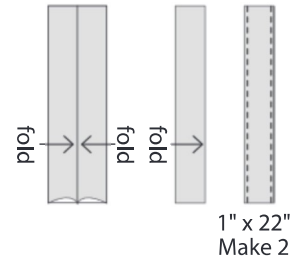


- ## 2 Bag Bottom:
- Pinch the bottom corner of the Bag.
Measure in 1" and sew. Repeat on the other corner.

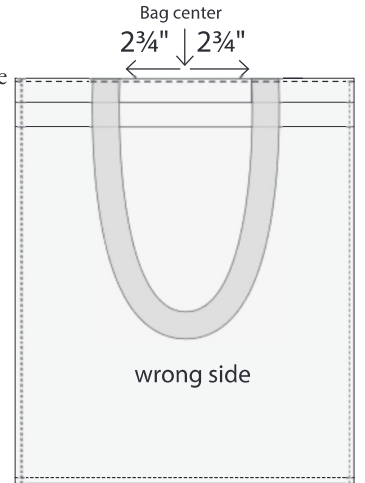


moda

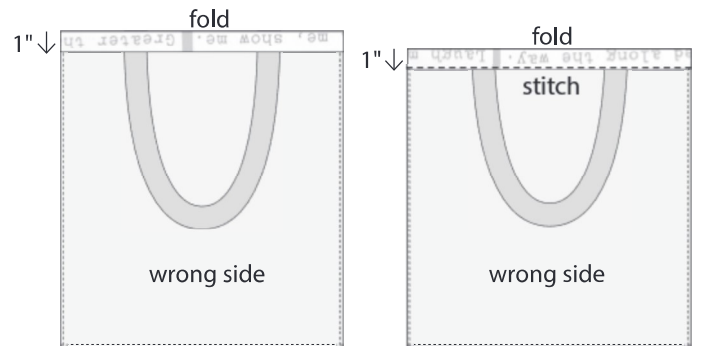
- ## 3 Handles:
- Fold the long sides of
the Handle 4" x 22" strips to the
middle of the strip. Press.
Fold again.
The Handle is now 1" wide.
Topstitch on both sides. Make 2.



- ## 4 (A)
- Align the Handles to the
top of the Bag.
Stitch in place.



- (B) Fold the top of the Bag down 1". Press.
Fold the top of the Bag another 1". Press. Stitch.



- (C) Flip the Handles up. Stitch around the top of the Bag to
hold the Handles in place. Turn Bag right side out.

