

Square Ottoman



Finished Size: 34" x 34" (86.36cm x 86.36cm)

Supplies Needed

- 2 pkgs. Fabric Palette® Squares
- 1 Fabric Palette® Fat Quarter Bundle
- 3 ¼ yds. (3.2m) Heavy weight fusible interfacing
- 1 yd. (91.44cm) Nu-Foam™ Densified Batting - 2" (5.08cm) thick
- 5 lb. box Polyester fiberfill
- Coordinating thread
- Rotary cutter & mat
- Acrylic ruler
- Scissors
- Basic sewing supplies
- Sewing machine
- Iron and pressing surface

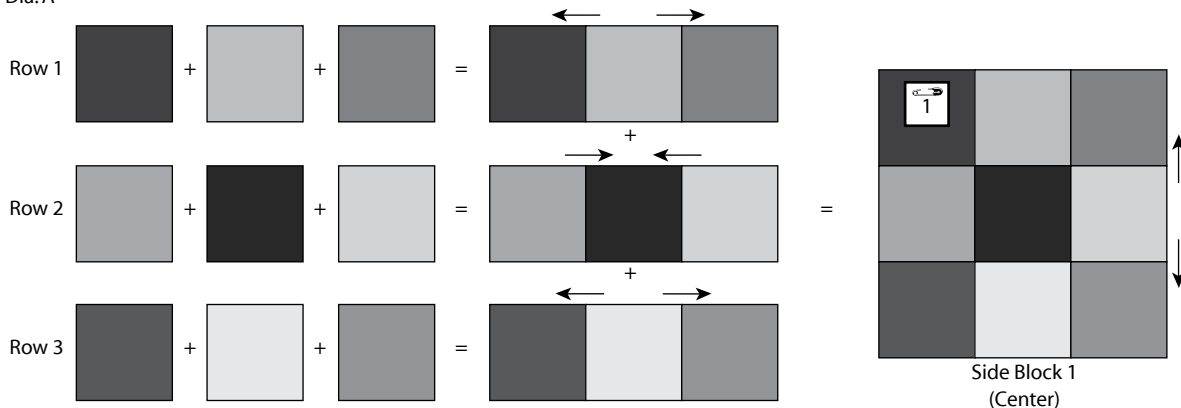
Before you begin

Read all instructions before beginning project. Do not pre-wash fabrics. Before cutting, press fabrics with a dry iron on cotton setting. Sew fabrics with right sides together (RST) unless otherwise noted. Press seams in the direction of the arrows. Width of Fabric = WOF. Use seam allowances as directed.

Cutting

1. From each Fat Quarter (18" x 21", 45.72cm x 53.34cm), cut two 3 ½" x 14" (8.89cm x 35.56cm) and two 3 ½" x 20" (8.89cm x 50.87cm) rectangles. From the fusible interfacing, cut six 18 ½" x 18 ½" (46.99cm x 46.99cm) squares. From the Nu-Foam™ cut two 18" x 18" (45.72cm x 45.72cm) squares.

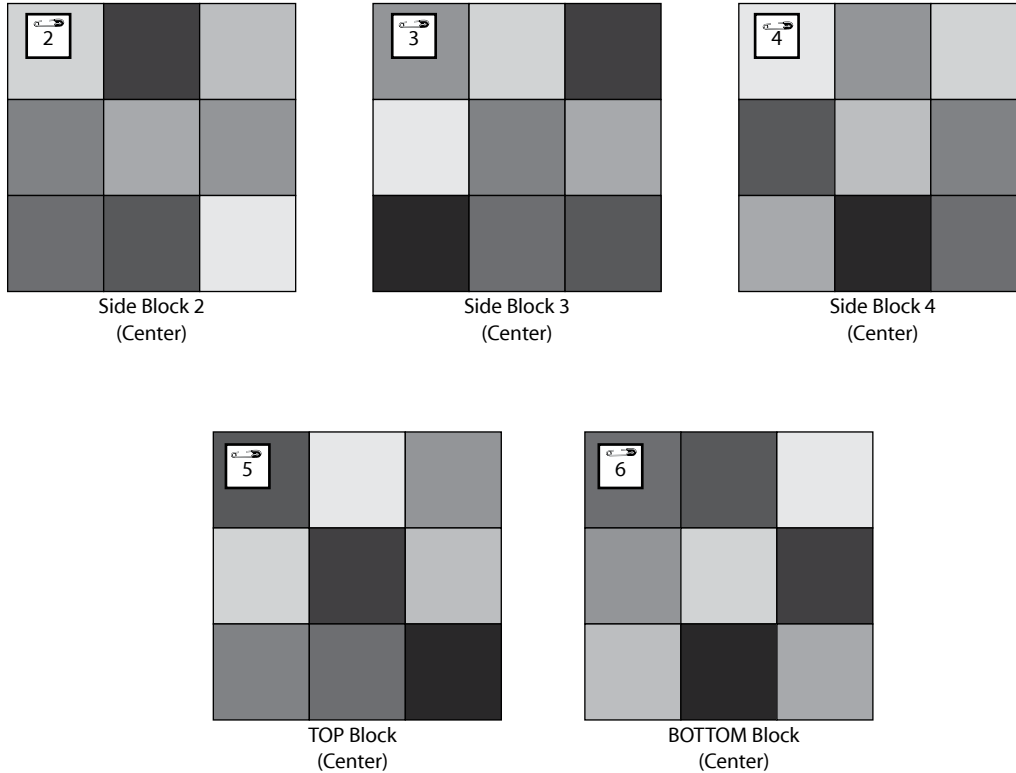
Dia. A



Sewing

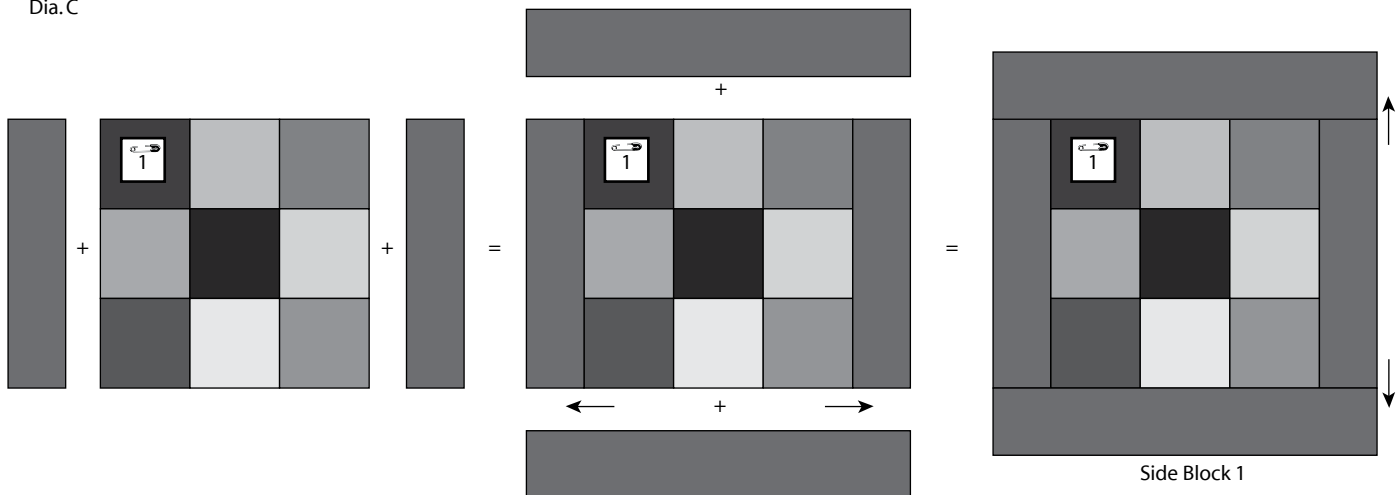
- Arrange nine squares as shown in Diagram A to make the center of Side Block 1. Using $\frac{1}{4}$ " (6.35mm) seams, sew RST into three rows; press. Sew rows together, matching the seam intersections; press. The center should measure 14" x 14" (35.56cm x 35.56cm).
Tip: Pin the number for each Block on the upper left square.
- Refer to Diagram B for color placement. Repeat Step 2 to make the centers for the remaining sides and set aside.

Dia. B



- Using $\frac{1}{4}$ " (6.35mm) seams, sew one rectangle ($3\frac{1}{2}$ " x 14", 8.89cm x 35.56cm) RST to opposite sides of the Side Block 1 center as shown; press. Sew a matching rectangle ($3\frac{1}{2}$ " x 20", (8.89cm x 50.8cm) RST to the top and bottom; press. Side Block 1 should measure 20" x 20" (50.8cm x 50.8cm) as shown in Diagram C.

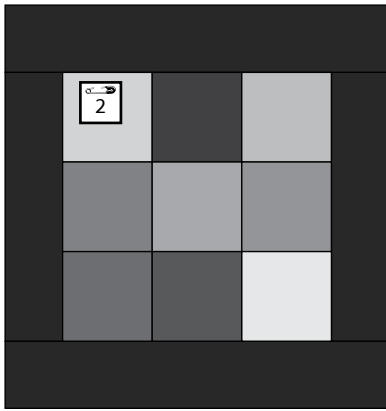
Dia. C



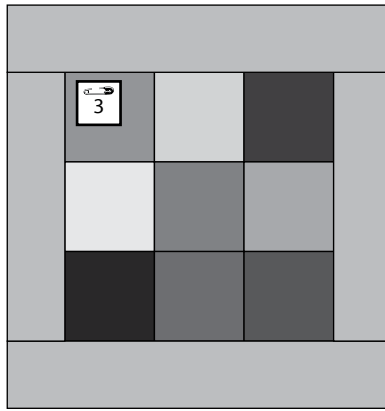
5. Repeat Step 4 to sew the remaining three Sides and Top and Bottom Blocks using the rectangles cut from the Fat Quarter bundle (Dia. D). Placing fabric as follows:

Side Block 2 - Orange
 Side Block 3 - Lt. Blue
 Side Block 4 - Pink
 Top Block - White
 Bottom Block - Purple

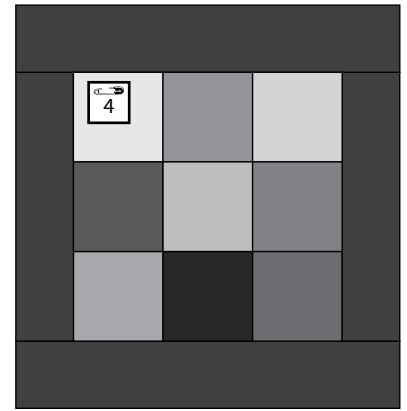
Dia. D



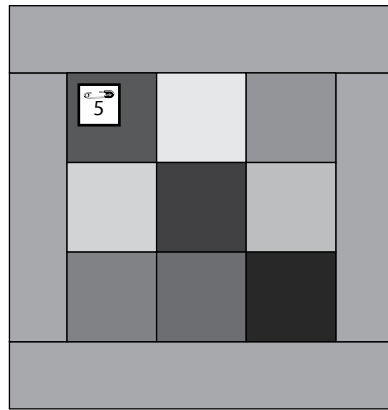
Side Block 2



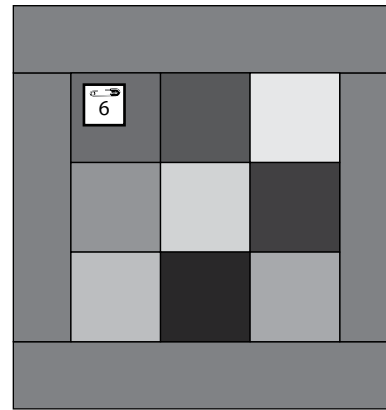
Side Block 3



Side Block 4



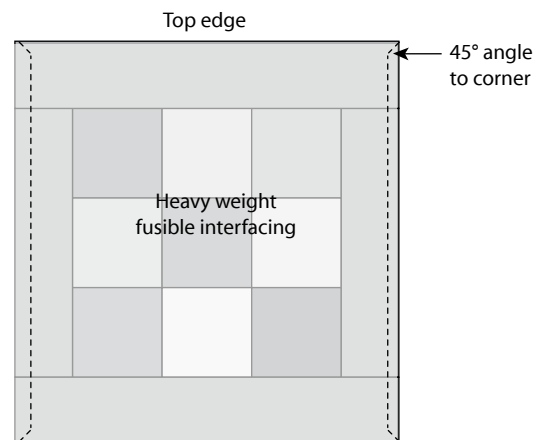
Top Block



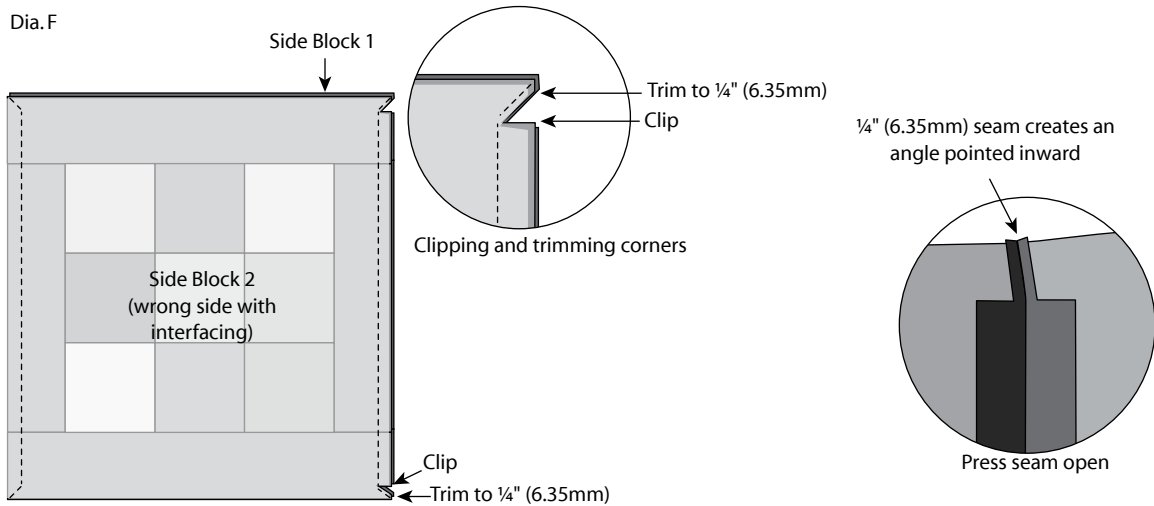
Bottom Block

6. Center the fusible interfacing (glue side down) on the wrong side of Side Block 1 and fuse following the manufacturer's directions. Draw a 1" (2.54cm) seam line on each side, stopping 1" (2.54cm) from the end and drawing a diagonal to the corner (Dia. E). Repeat for remaining three Sides, Top and Bottom Blocks.

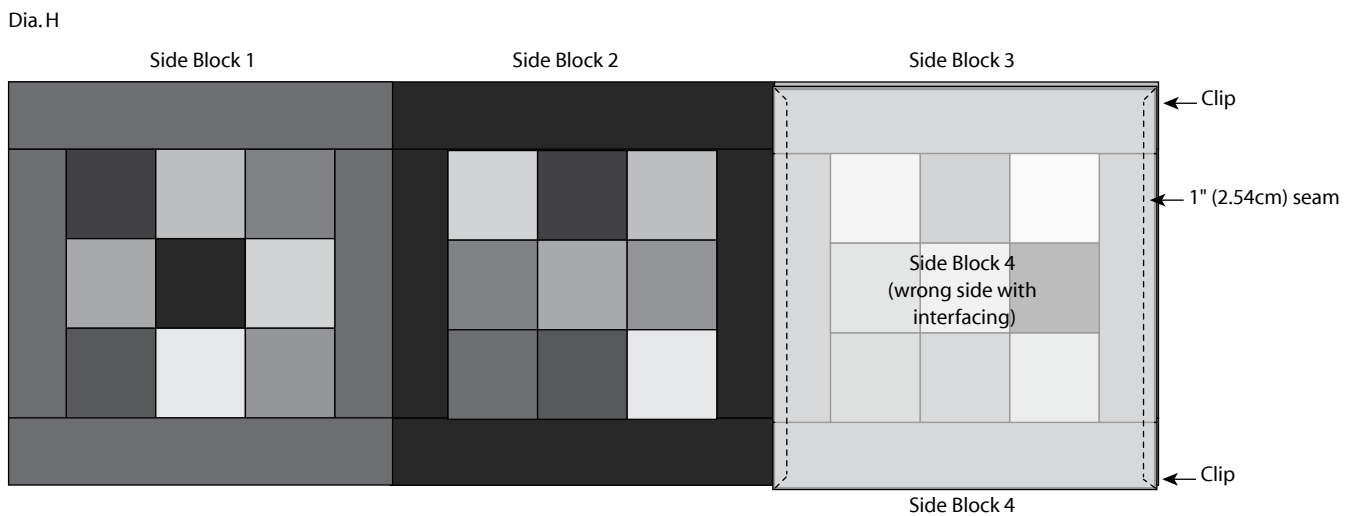
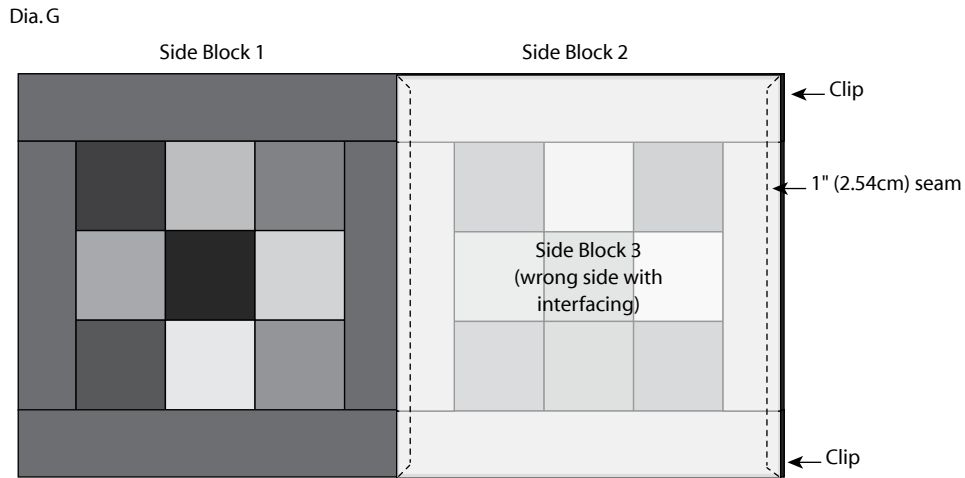
Dia. E



7. Pin and sew Side Block 2 to Side Block 1 RST, using a 1" (2.54cm) seam. Start and stop 1" (2.54cm) from the ends, and sew a 45° angle to the corners, as shown. Clip at the angle, and trim the top and bottom 1" (2.54cm) angle sections to a ¼" (6.35mm) seam; press the seam open (Dia. F).

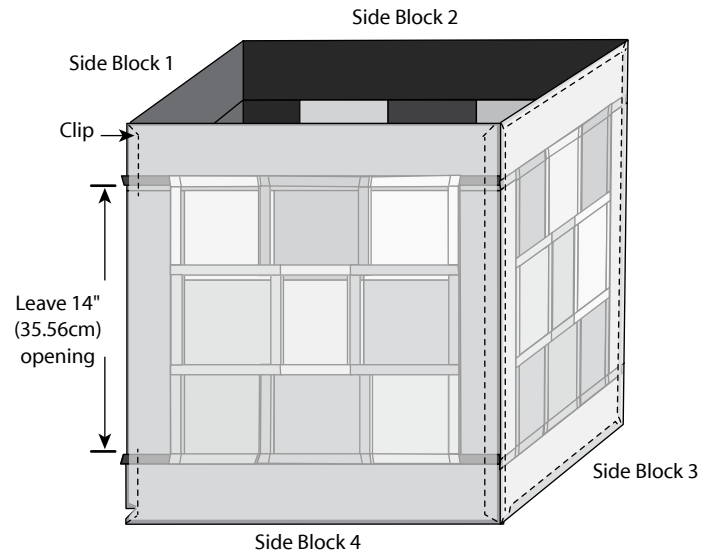


8. Repeat Step 7 to sew Side Block 3 to Side Block 2 (Dia. G) and to sew Side Block 4 to Side Block 3 (Dia. H).



9. Pin and sew the remaining ends of the Side Blocks 1 and 4 together as in the previous seams, except leave a 14" (35.59cm) opening (Dia. I).

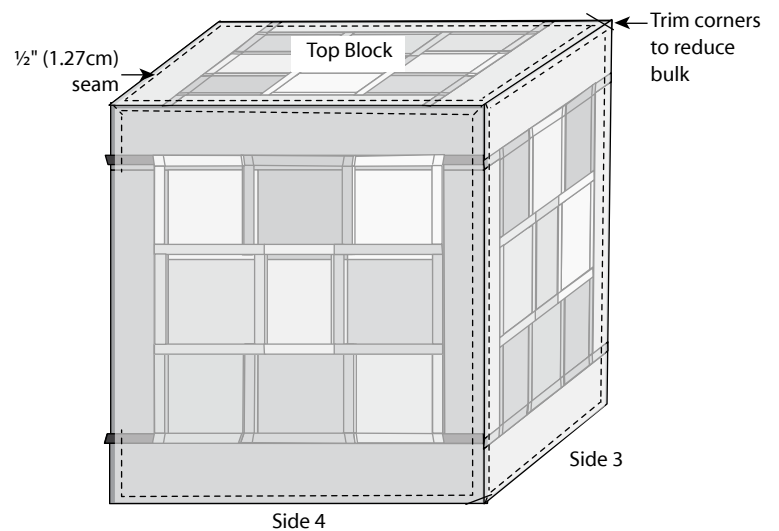
Dia. I



Finishing

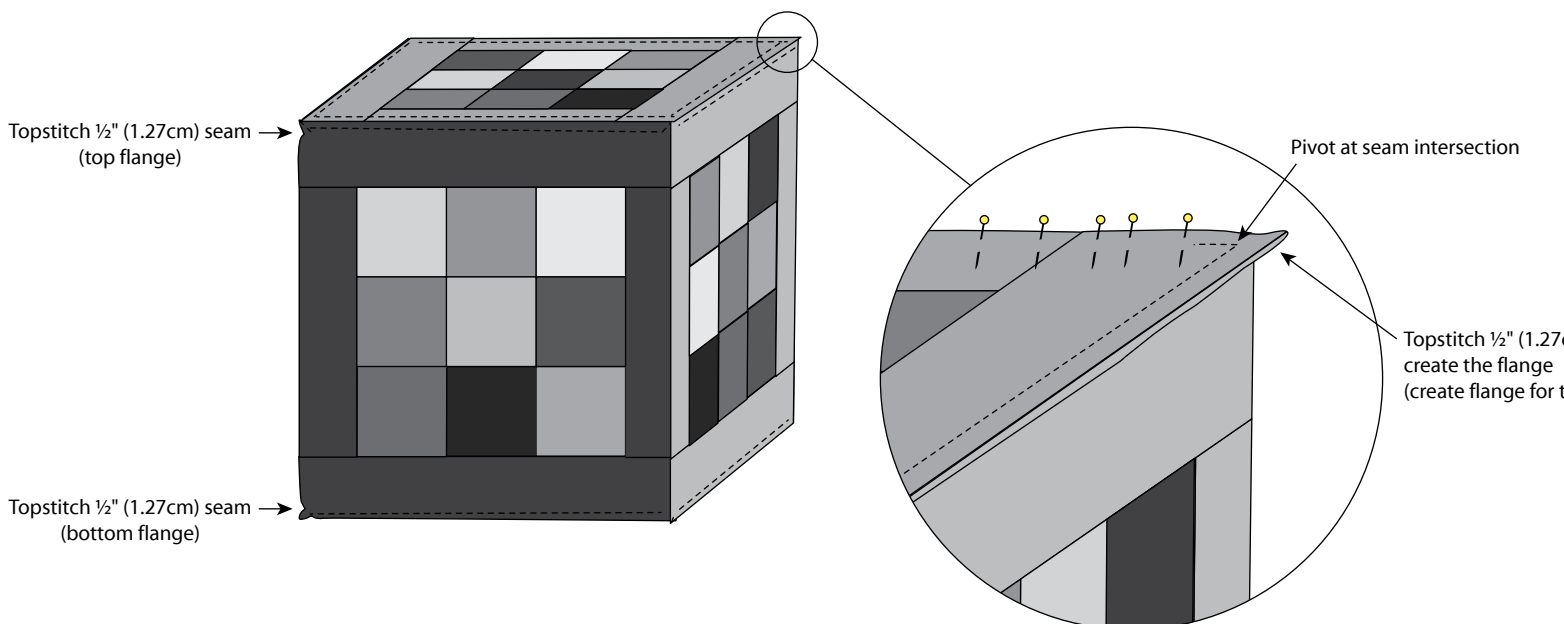
10. Pin and sew the Top Block to the top edge of the sides RST using a $\frac{1}{2}$ " (1.27cm) seam and stopping $\frac{1}{2}$ " (1.27cm) from each corner as shown. Trim corners close to stitching to reduce bulk. Press the seams open as close to the corners as possible (Dia. J). Repeat to sew the Bottom Block RST to the bottom edge of the sides. **Tip:** Sew with the sides facing up.

Dia. J



11. Turn right side out. Gently push the corners out with a blunt point; press the top and bottom edges flat. To create a flange, topstitch around the top and bottom, $\frac{1}{2}$ " (1.27cm) from the edge (Dia. K). **Tip:** Pin the edges flat. Sew with the sides on top. Pivot at the seam intersections.

Dia. K



Finished Care Instructions

Spot clean with damp cloth.