



# Ellie Pieced Quilt

**Skill Level 2:**

Some experience necessary

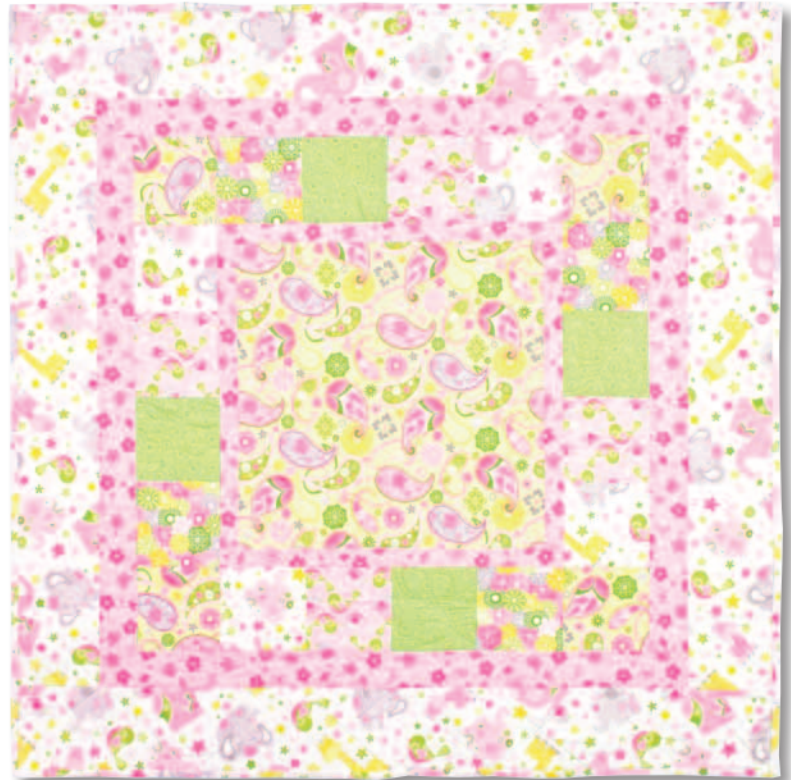
**Approx. Crafting Time:**

Weekend project

Finished Size: 40 1/2" x 40 1/2"

## Supplies Needed

- 1 pkg. Land of Whimzie® Ellie Charms
- 1 Land of Whimzie® Paisley Fabric Quarter
- Land of Whimzie® By-the-Yard fabrics:
  - 1/2 yd Ellie Pink Swirly Elephants
  - 1 yd Ellie White Tossed Animals
  - 1 1/4 yds coordinating fabric for backing
- Batting, 45" x 45"
- Rotary cutter, mat, acrylic ruler
- Basic sewing and quilting supplies
- Sewing machine
- Even feed foot (optional)
- Iron, pressing surface



## Instructions

*Read all instructions before beginning project. Do not prewash fabrics. Before cutting, press fabrics with a dry iron on cotton setting. Use a 1/4" seam allowance and sew fabrics with right sides together (RST) unless otherwise noted. Press seams in the direction of arrows.*

1. Cut the following pieces:

Fabric Quarter - Paisley

Cut 1 - 16 1/2" x 16 1/2"

1/2 Yard Pink Swirly Elephants

Cut 2 - 2 1/2" x 31 1/2"      Cut 2 - 2 1/2" x 27 1/2"

Cut 2 - 1 1/2" x 18 1/2"      Cut 2 - 1 1/2" x 16 1/2"

1 Yard White Tossed Animals

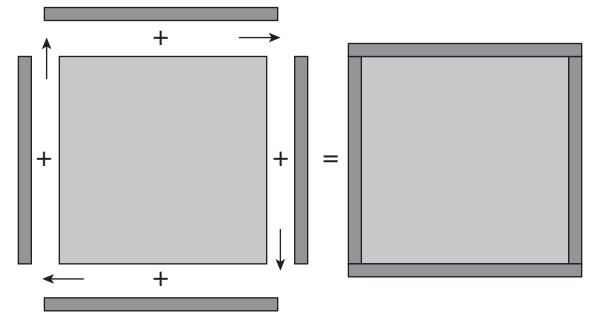
Cut 2 - 5" x 40 1/2"      Cut 2 - 5" x 31 1/2"

Cut 5 - 2 1/2" x wof (binding)

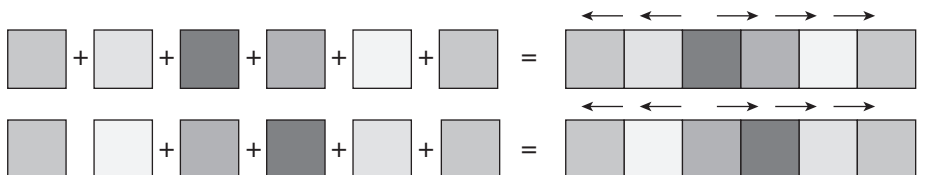
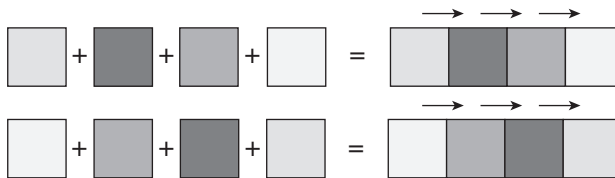
2. To make inner border, sew Pink Swirly Elephants, 1 1/2" x 16 1/2" strips to the sides and 1 1/2" x 18 1/2" strips to the top and bottom of the 16 1/2" Paisley square (Dia. A).

3. Make pieced borders with the charm squares by sewing together as shown, or according to your own preference. Make two rows of four squares for the sides, and two rows of six squares for the top and bottom (Dia. B).

Dia. A



Dia. B



**Care instructions:** Machine wash in cold water; gentle cycle. Lay flat to dry or tumble dry low.

## Project Instructions Continued

4. Sew the pieced borders to the sides noting that placement is different for each side. Sew the top and reversed bottom as shown (Dia. C).

5. Add the next border by sewing the Pink Swirly Elephants  $2\frac{1}{2}$ " x  $27\frac{1}{2}$ " strips to the sides, and the  $2\frac{1}{2}$ " x  $31\frac{1}{2}$ " strips to the top and bottom. Add the outside border by sewing the White Tossed Animals 5" x  $31\frac{1}{2}$ " strips to the sides, and the 5" x  $40\frac{1}{2}$ " strips to the top and bottom (Dia. D).

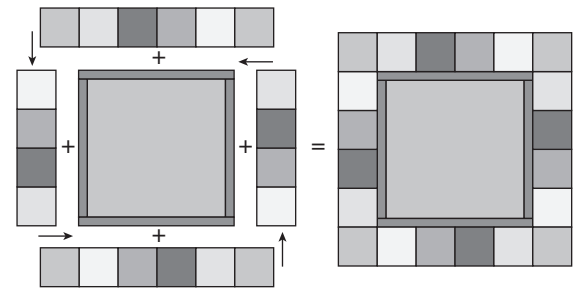
6. Press finished top and backing fabric well. Place the backing wrong side up, layer the batting and top with right side up. Starting at the center, baste the layers together with pins or thread.

7. To quilt, sew a grid in the center square, and stitch in the ditch around the borders. *Tip: Sewing with an even-feed foot is helpful when quilting through thicknesses.*

8. Square up corners and edges, trimming excess backing and batting even with quilt top.

9. Binding: Piece the five  $2\frac{1}{2}$ " strips from the White Tossed Animals for the binding by sewing them end to end; press seams open. Press one short end  $\frac{1}{4}$ " to the wrong side. Fold in half lengthwise with wrong sides together; press. Leaving a 2" tail on folded end, place raw edges of folded binding even with the edge of quilt top and sew, mitering at the corners. Overlap ends, trim any excess and finish sewing the binding. Fold binding over to back and hand stitch.

Dia. C



Dia. D

