

Pretty in Pink Child's Reversible Apron

Supplies Needed

- 2 - 1 yard coordinating fabrics
- Coordinating thread
- Rotary cutter, mat, and acrylic ruler
- Basic sewing supplies
- Sewing machine
- Iron
- Paper for pattern
- Removable marker or chalk pencil

Instructions

Before you begin: Read all instructions before beginning project. Do not prewash fabrics. Sew using a 1/4" seam with right sides together unless otherwise noted. Print out apron pattern pieces, enlarge to 200%, and tape together. Trace heart pocket pattern and transfer markings. Cut out pattern pieces.

Cutting

Note: Label pieces after cutting.

Fabric A: 1 - 22" x 24" (apron)
 1 - 2" x WOF* (neck tie)
 1 - 3" x WOF* (waist tie)
 1 - 6" x 12" (heart pocket)
 1 - 4" x 8 1/4" (apron band)

Fabric B: 1 - 22" x 24" (apron)
 1 - 2" x WOF* (neck tie)
 1 - 3" x WOF* (waist tie)
 1 - 6" x 12" (heart pocket)
 1 - 10" x 10" (large pocket)

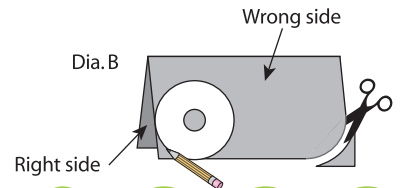
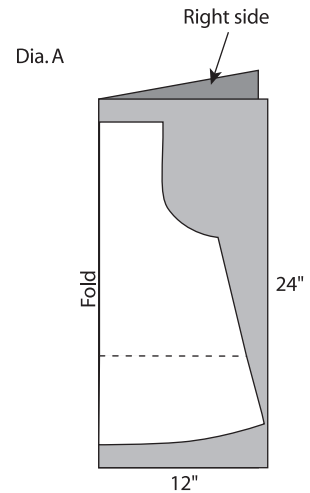
* Width of Fabric

Fold Fabric A apron in half lengthwise with right sides together; press on fold to mark the center. Tape apron top and bottom pattern pieces matching dotted lines. Place apron pattern on fold as shown (Dia. A). Pin and cut out apron. Repeat for Fabric B apron.

Sewing

Apron - Fabric A:

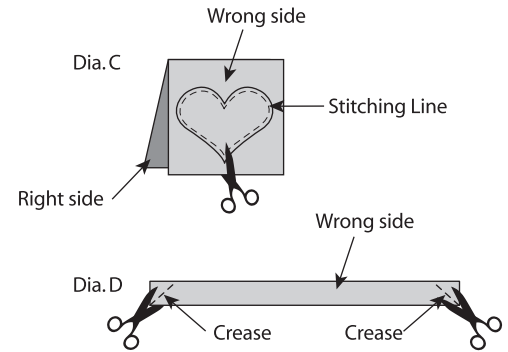
1. Fold the Fabric B large pocket in half with right sides together. Round off the bottom corners using a CD or similar item as a template (Dia. B). Stitch around edges, leaving an opening for turning at the bottom of pocket. Clip corners, turn right side out, press. Fold and press to mark the center of the pocket.



Care instructions: Machine wash gentle cycle in cold water. Tumble dry on low or hang dry.

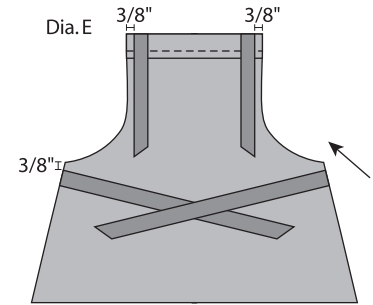
Place on fold

- On the right side of the apron, measure down 10" and center the pocket matching the center fold creases. Pin and then stitch in place 1/8" from the edge, then again 1/4" from the edge. In the center of the pocket, stitch 1/8" away from the fold on each side.
- With right sides together, fold Fabric B heart pocket in half so that short ends meet. Place template on top, trace around template. Stitch on the drawn line, leaving an opening for turning. Cut 1/4" outside of stitching line and clip curves (Dia. C). Turn right side out and press.
- Matching center of heart pocket with center of apron, pin pocket to apron, 2" down from the top edge of the apron. Topstitch to apron starting and stopping at stitching marks, leaving top edge open.



Apron - Fabric B:

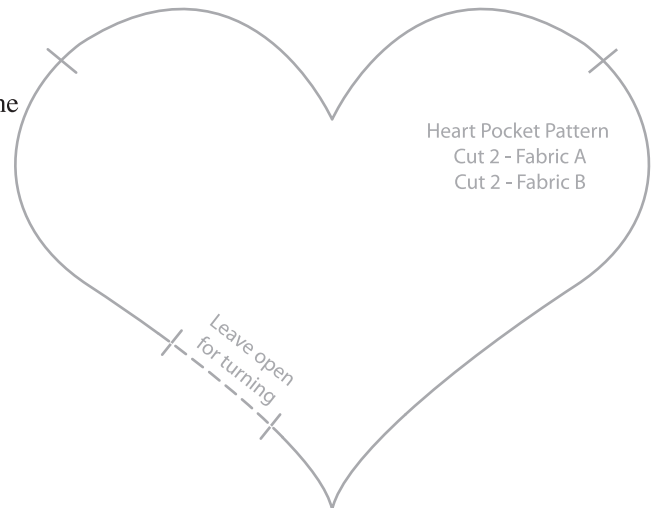
- Repeat Step 3 using Fabric A heart pocket (Dia. C).
- On the right side of fabric, place pocket to the left side of apron at an angle approx. 2 1/2" from side and 7" from bottom (refer to photo). Pin heart pocket to apron; topstitch starting and stopping at stitching marks, leaving top edge open.
- Fold the Fabric A apron band in half with wrong sides together; press. Match raw edges to top of apron, pin band in place. Topstitch the folded edge of band to the apron, baste raw edges to apron top edges.
- Place coordinating waist ties right sides together. Fold tie ends diagonally and press. Trim along crease line (Dia. D). Stitch, using a 1/4" seam. Trim corners and cut tie in half. Turn both ties right side out through open ends; press.
- Repeat Step 8 for neck ties.
- Lay raw edges of neck ties at top edge of Fabric A apron 3/8" in from the sides; stitch (Dia. E).
- Fold a small pleat in unfinished ends of each waist tie. Pin to sides of apron 3/8" down from edge; stitch.
- With right sides together, lay Fabric B apron on top matching raw edges, pin. (*Tip: Pin ends of ties away from edges of apron to prevent catching them in seam.*)
- Stitch around outside edges of apron being careful to keep ties free of stitching. Leave a 6" opening at the bottom edge for turning. Trim corners, clip curves.



Apron Top
Pattern Piece

Finishing

- Turn right side out and remove pins from ties; press. Topstitch around the outside edge of the apron, closing bottom opening with stitching.



Apron Bottom
Pattern Piece

*Enlarge templates 200% for full-size patterns.
Center foldline of apron - 21 1/2"
Side edge of apron - 13"