



Lamp Shade Cover

Finished size: 7" on the slant / 8" top diameter; 10" bottom diameter

SUPPLIES NEEDED

- 2 - ¼ Yard Cottons (Orange Dot)
- Small lamp shade (7" on the slant; 8" top diameter; 10" bottom diameter)
- 18" x 18" Paper (for pattern)
- Pencil and ruler
- Double stick tape or glue gun and glue sticks
- Scissors
- Iron

BEFORE YOU BEGIN

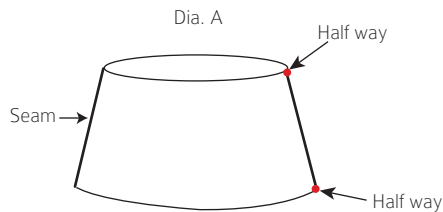
Read all instructions before beginning project. Do not prewash fabric. Before cutting, press fabrics with a dry iron on a cotton setting and trim off selvages.

Note: Use non-directional fabric only.



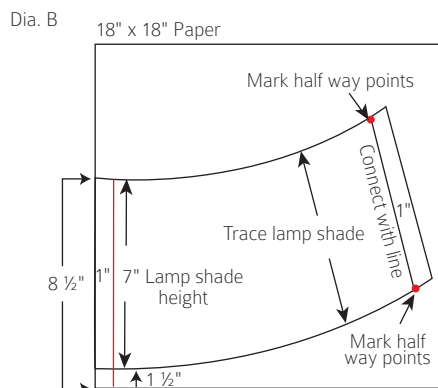
CONSTRUCTION

1. Starting at the seam, measure around the top and bottom of the lamp shade. Then make a mark at the half way point on each edge (Dia. A).

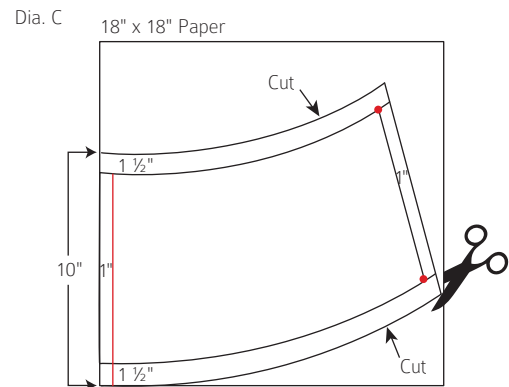


2. To make a paper pattern, measure 1" in from one edge of the paper and draw an 8 ½" line shown in red. Measure up 1 ½" from the bottom edge and place the seam of the lamp shade on the drawn line (Dia. B).

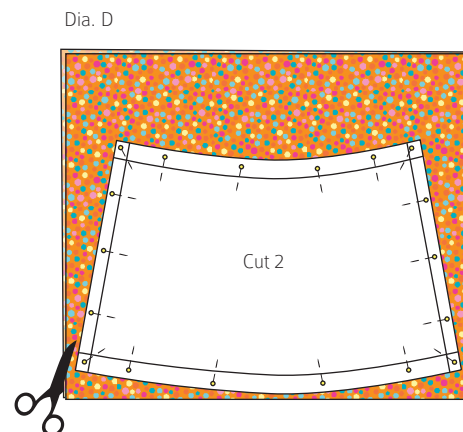
3. Trace the top and bottom edges of the lamp shade as it is rolled across the paper, stopping at the halfway mark. Make a mark on the paper at the top and bottom edge; draw a line to connect the marks. Draw another line 1" beyond previous line as shown (Dia. B).



4. Draw the cutting line 1 ½" away from the top and bottom traced lines to the furthest line at the end. Cut out the pattern on the outside line (Dia. C).

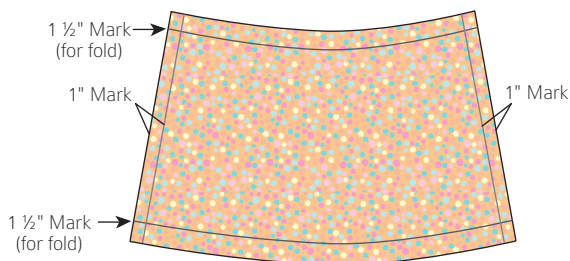


5. Place the two ¼ yards (18" x 21") wrong sides together. Place the traced pattern on the fabric and pin through both layers; cut around the outside edge (Dia. D).



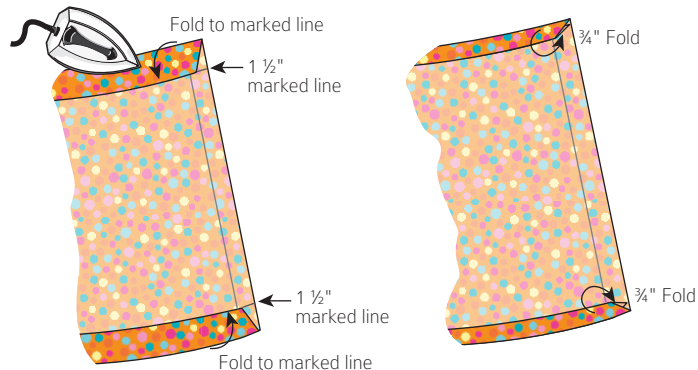
6. On the **wrong** side of the cover pieces lightly mark 1" from each end and 1 1/2" from the top and bottom edges (Dia. E).

Dia. E



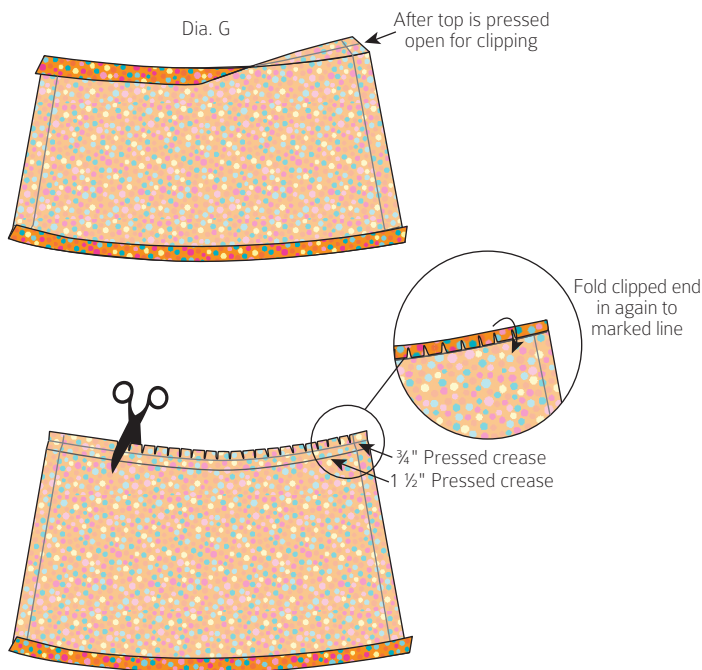
Fold the top edge to the marked line and press. Fold in again 3/4" and press. Repeat for the bottom edge (Dia. F).

Dia. F



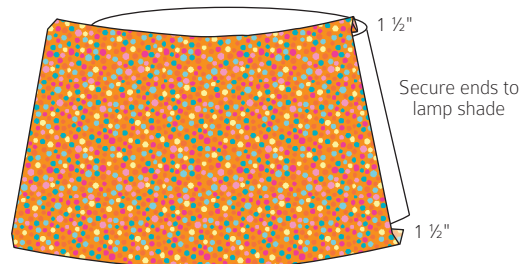
7. Open the **top** edge and clip to the 3/4" pressed crease at 1/2" intervals. After clipping, fold clipped end in again to the marked line (Dia. G). Repeat for the second piece.

Dia. G



8. Use double stick tape or hot glue to secure each end of one cover piece to the lamp shade over the marked half way lines, matching the top and bottom creases to the top and bottom of the lamp shade (Dia. H).

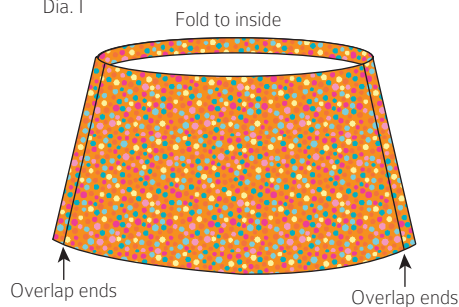
Dia. H



9. Fold the short edges of the other cover piece 1/2" to the **wrong** side and place over the secured ends on the lamp shade; secure with double stick tape or hot glue, matching the top and bottom creases as in Step 8 (Dia. I).

10. Working around the top edge, fold the fabric to the inside and secure; ease where necessary. Fold the bottom to the inside, pulling slightly to smooth the fabric over the shade; secure (Dia. I).

Dia. I



FINISHED CARE INSTRUCTIONS

Wipe with a damp cloth if needed.