

Christmas Strips Pillow

Finished Size: 12" x 20"



Supplies Needed

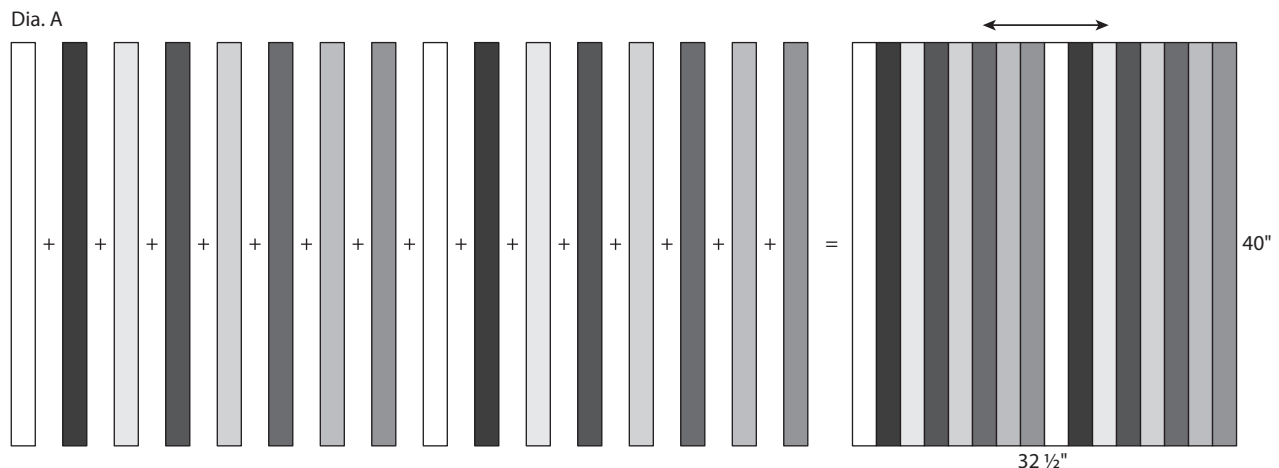
- 1 pkg. Fabric Palette® Strips (16 – 2 ½" x 40"; 2 each of 8 designs)
- 21" x 25" Batting
- 1 pkg. Polyester Fiberfill
- 21" x 25" Paper for template
- Coordinating thread
- Rotary cutter, mat and acrylic ruler
- Basic sewing supplies
- Sewing machine
- Iron and pressing surface

Before you begin

Read all instructions before beginning project. Do not pre-wash fabrics. Before cutting, press fabrics with a dry iron on cotton setting. Use a ¼" seam allowance and sew fabrics with right sides together (RST) unless otherwise noted. Press seams in the directions of the arrows.

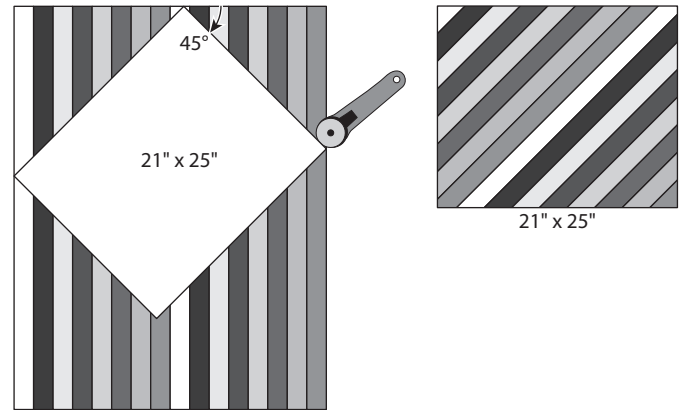
Sewing

1. Refer to photo to arrange the Strips as shown in Diagram A or arrange as desired. Sew Strips RST one at a time and press.



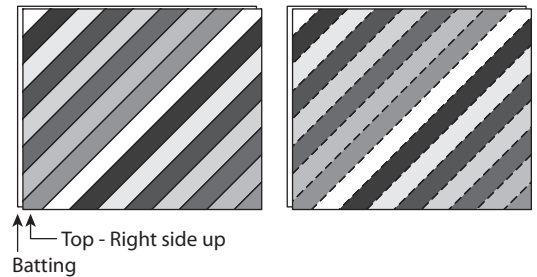
- Lay the paper template (21" x 25") on the pieced strips at a 45° angle; pin in place. Cut around the paper template.

Dia. B



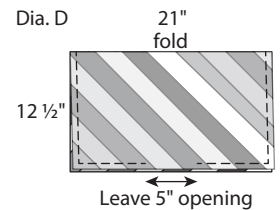
- Lay the batting on a flat surface and layer the Pillow top (right side up) as shown in Diagram C. "Stitch-in-the-ditch" to quilt the layers together or quilt as desired.

Dia. C



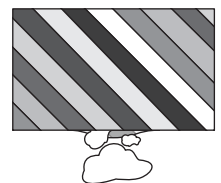
- Fold the quilted pillow so the 21" edges meet as shown (Dia. D). Sew around three sides, leaving a 5" opening for turning right side out.

Dia. D



- Turn right side out and gently push corners out. Stuff with fiberfill. **Note:** Fiberfill tends to compress on using, so stuff as full as possible. Hand stitch opening closed.

Dia. E



Finished Care Instructions

Wipe with a damp cloth if needed.