

# HQ Fusion®

Integrated HQ technology and engineering for the functionality quilters need.



The HQ Fusion combines HQ integrated technology and HQ engineering with all of the functionality quilters demand. Handcrafted in the U.S.A., the HQ Fusion precision stitch-regulated system provides you with the highest quality product of any longarm quilting machine, backed by the HQ warranty and network of local representatives. The HQ Fusion is a high-functioning longarm system that enables you to achieve your quilting vision in your home or professional studio.

## PACKAGE INCLUDES:

*HQ Fusion® 24-inch longarm | 12-foot Fusion Frame with HQ Precision-Glide Track® System and three HQ leaders  
Stitching speed up to 2,400 stitches per minute\* | Easy-Set Tension™\* (Patent Pending)  
Front power switch\* | Front and rear touchscreens*

*\* New Feature*



## Handi Quilter®

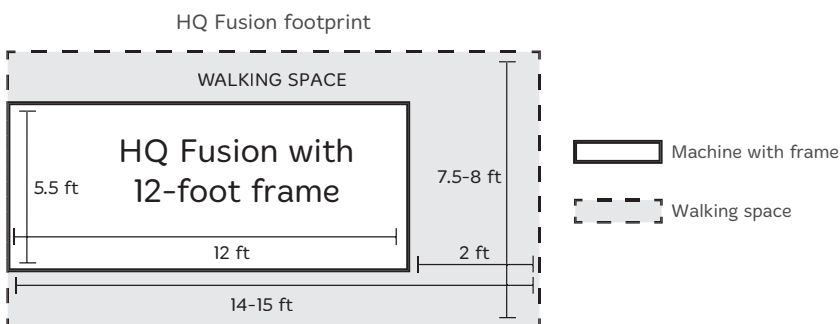
Designed by a Quilter, for Quilters.®

[www.HandiQuilter.com](http://www.HandiQuilter.com) • 1.877.MY.QUILT



## MACHINE FEATURES

- Front Power Switch\*
- Easy-Set Tension™\* (Patent Pending)
- Low-bobbin estimator and alarm\*
- Handi Feet mount with quarter-inch ruler foot installed, open-toe foot\*
- LED light ring\*
- Front hand wheel and power switch
- Thread-break sensor with alarm
- Four basting stitch options\*
- Quilting alarm and project timer\*
- Three manual preset speeds\*
- Front and rear Ergo-Grip Handlebars™ with controls
- Consistent stitch quality from 4 to 24 stitches per inch
- Two modes of stitch regulation: Precision and Cruise
- Needle-stop position control
- Stitch counters
- Menu-controlled warm/cool/neutral LED and UV lighting
- Integrated, adjustable laser light for pantographs
- High-speed rotary hook with large-capacity M-class bobbin
- Easy needle change with ergonomic thumb screw
- Four language options: English, French, German and Spanish\*
- Four extra bobbins, 20 needles, sample thread pack, pantograph
- Built-in diagnostics



## ALL HQ LONGARMS FEATURE:

- HQ Nationwide Retailer/Rep Support
- HQ Customer Solutions
- HQ Technical Support
- HQ Warranty: 10 years casting, 5 years electrical and mechanical\*
- Handcrafted in the U.S.A.
- Getting Started DVD
- Educational videos, tutorials and tips available at [HandiQuilter.com](http://HandiQuilter.com)

## OPTIONAL ACCESSORIES

- HQ Pro-Stitcher®
- HQ Micro Handles
- HQ Ruler Base
- Set of three couching Handi Feet
- Horizontal spool pin
- Groovy (pattern) boards
- Groovy Board adapter with stylus
- 27-inch Super Leader

\* New Feature

HQ Fusion® is part of the family of innovative quilting products from Handi Quilter®

Contact your local authorized HQ retailer:



Handi  
Quilter®