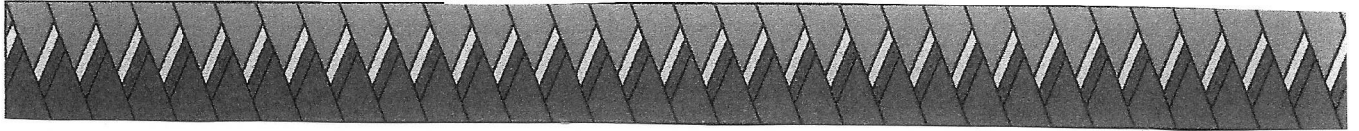


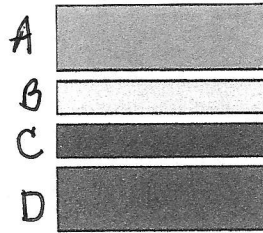
## Row of the Month – Month 1 Mountain High



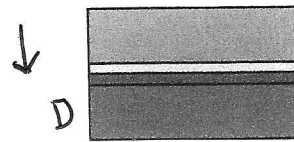
Finished Band Size, without stabilizing edging strip, 4 ½ " X 36"  
Four colors A,B,C,D. A and D are the 3" strips and B and C are the 1 " strips

### Step 1: Cut the strips

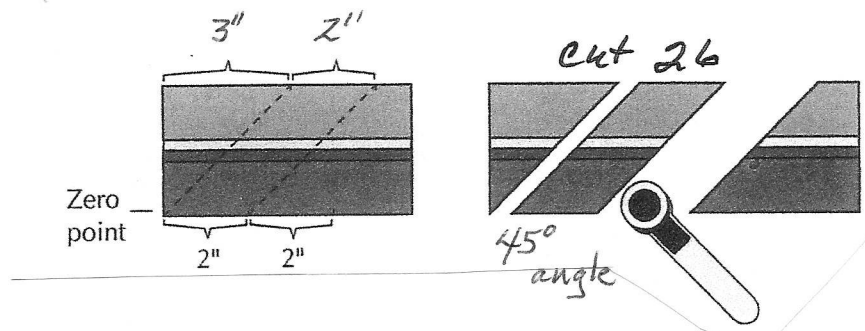
2 strips color A - 3" x wof  
2 strips color B - 1" x wof  
2 strips color C - 1" x wof  
2 strips color D - 3" x wof



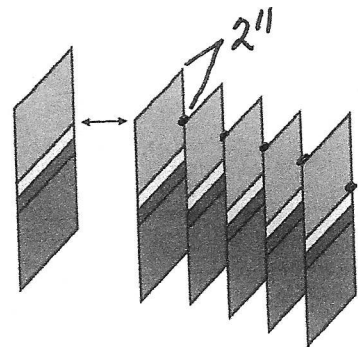
Step 2: Sew the strip Sets. Make two strip sets.  
Press the seams toward strip D



Step 3: Cut the pieces using method of 1 or 2



Step 4: Align the pieces. Place a mark 2 " down from the point on color A, align the low side of color A to the mark, continue with all 26 pieces. Press



Step 5: Mark the lines for the edging strips.  
Sew the strips to stabilize your row. Your edging can be any width your choose. I used 1".

