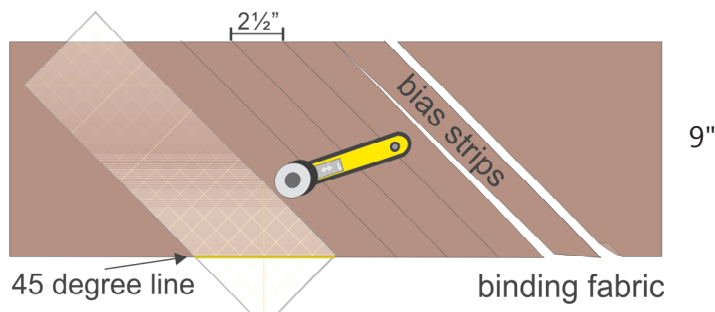


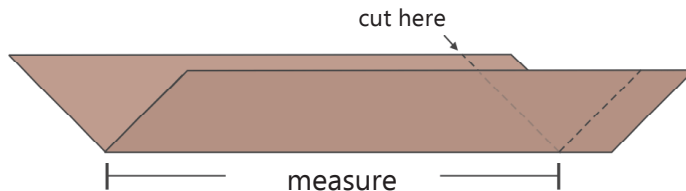
## For Butterfly in the Round Circles

### Binding Circles

- After the circle quilt is quilted, measure the diameter.
- Cut 2 1/2" wide bias strips from the 1/4 yard (9") of binding fabric.

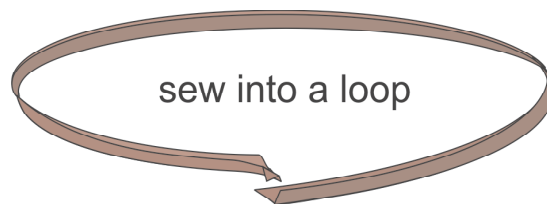


- Measure the binding strip along the fold for the length needed. Open the strip and cut at a parallel 45 degree angle.



- Sew the ends of the strip together into a loop. Fold the loop into quarters and pin to mark.

*The loop is the exact circumference of the quilted circle, avoiding stretching either the binding or edge of the quilt.*



For circles, 16 1/2" to 18 1/2" in diameter:  
**Cut five strips.**

- Sew the bias strips together into one long strip as shown.
- Fold the bias strip in half and press, being careful not to stretch.
- Select the length needed for your circle.

- Match the quarter marks of the binding and circle quilt. *Seven and a half wedges equal one quarter.* Pin with right sides together evenly distributing any fullness.
- Sew the binding to the quilt with a 1/4" seam.
- Fold to the back and hand stitch in place.

Circle	Length
16 1/2"	52 1/2"
17"	54"
17 1/2"	55 1/2"
18"	57 1/4"
18 1/2"	58 3/4"

