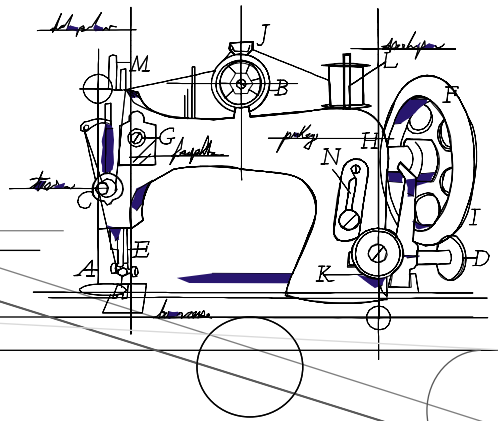


# RULER WORK CLUB

---

SEPTEMBER, 2021

---



September's club is all about the straight edge. What can we do with the straight ruler? Squares, angles, ladders, piano keys, checker boards...the list goes on and on! Come prepared to have some fun, and learn some new tricks!

---

Bring to Club:

Sewing Machine, with foot control and power cord

Ruler work presser foot

Straight Edge Ruler Work ruler

A 2½" x 18" ruler or 3½" x 18" ruler

Notions:

Fabric marker: can be a Frixion marker, chalk marker, pencil, or an ink pen. We may want to keep the lines for reference later.

Your favorite color cotton thread; have a bobbin wound of the same thread

Two Fat Quarter fabric sandwiches—fabric, batting, fabric. Please use plain fabric only, no prints. If you must have movement on your fabric, Gunge would be fine.