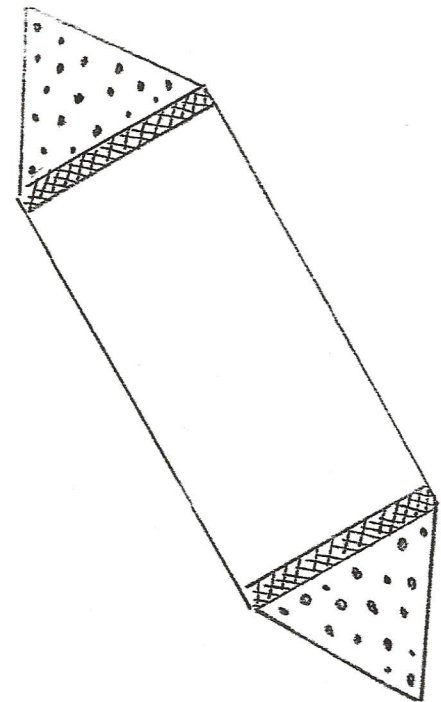


## The one Yard Table Runner

Fabric B 18x22	Fabric A 18x44	Fabric B 18x22
-------------------	-------------------	-------------------



Fabric A  $\frac{1}{2}$  yard

Fabric B  $\frac{1}{2}$  yard cut on the fold to =18x22

Ribbon 1 yard

Thread to match

### ~~Get ready to go~~

- 1- With wrong sides together stitch the 18x22's at each end of your 18x44.
- 2- Cut your 1 yard ribbon in half and top stitch your ribbon to cover your seams on right sides.
- 3- Now serge your two long side edges.
- 4- At each end you will fold fabrics right sides together and serge. This will form a triangle and point at each end.
- 5- Finish edges by turning your serge edge to the back and top stitch.