

BERNINA L 6 SERIES

SIMPLY ENJOYABLE



BERNINA *made to create*

BERNINA Overlock & Coverstitch Machines

Unlimited Possibilities for Your Projects

Overlock and coverstitch machines excel at producing professional-quality, hard-wearing seams and hems on knit fabrics. Woven materials can also be sewn with ease. Differential Feed and the Micro Thread Control (mtc) system help you achieve top quality stitches in an extensive range of thread and fabric combinations. Rolled hems or decorative flatlock seams give your project that special finishing touch. The finest frills and stylish gathering effects can be achieved simply and easily.

FOR PROFESSIONAL RESULTS

An overlocker cuts and finishes the fabric edge neatly in a single step while simultaneously sewing the seam or hem. What might seem too good to be true becomes reality. No matter what you sew, you'll complete your projects faster and your handmade pieces will look professional — inside and out.

COVERSTITCHES SEWN WITH EASE

A coverstitch machine opens up a whole new world of creative freedom. Cover and chainstitches enhance a garment and give every detail a high-quality look. Whether with one, two, or three needles, the L 620 always achieves a professional finish effortlessly and with unparalleled ease.

The Advantages of Overlock and Coverstitch Machines:

- Professional finishing of fabric edges
- Quick and easy for outstanding results
- Differential Feed for wave-free seams or gathering effects
- Ideal for jersey, knit, stretch, and woven fabrics
- Perfect for creating fine edge finishes on delicate silk or satin fabrics, as well as for sewing heavy linen, fleece, and denim materials

#ABIGDAY with the
BERNINA L 6 Series – please scan
the QR code to view the video!







The BERNINA L 6 Series – simply unique

- 1 One-Step BERNINA Air Threader with threading light
- 2 Built-in needle threader (L 660, L 620)
- 3 Swing-out presser foot
- 4 BERNINA Free Hand System (FHS) with Feed Dog Drop (L 660, L 620)
- 5 mtc Micro Thread Control with 3-9 mm stitch width (L 660, L 650)
- 6 Powerful yet quiet DC motor for optimal control of the sewing speed
- 7 Automatic needle stop up and programmable needle stop down (L 660, L 620)
- 8 Slide-on Table for large projects (L 650 optional)
- 9 Excellent sewing light with dimming function (L 660, L 620)
- 10 Modern and attractive design



BERNINA L 6 Series

Compact Design with Unmatched Sewing Comfort

CLEVERLY EQUIPPED FOR EASILY GETTING STARTED

The BERNINA L 6 Series includes three models: the L 660 and L 650 overlockers, as well as the L 620 coverstitch machine. All three models combine functional ingenuity, intuitive operation, and minimalist design to create a sewing experience that supports and encourages your creativity.

Needle threading is particularly easy thanks to clearly defined colour-coded threading paths, which are the same for every stitch. The foot swings out to the side providing free access to the needles and making threading more comfortable. Moreover, the entire sewing area is very brightly lit.

Stitch settings can be individually matched with extra features to make your sewing more comfortable. Due to Total Stitch Control, any adjustments to thread tension, stitch length, differential feed, cutting width or mtc Micro Thread control can be made at any time, even while sewing. With the powerful yet quiet DC motor, you can sew with consistently high needle piercing power, so challenging materials aren't a challenge at all!

MORE COMFORT, MORE PRECISION

The L 660 and L 620 come with a bunch of extra comfort features. Both models feature the built-in BERNINA Free Hand System (FHS). This allows you to lower or temporarily raise the presser foot using a knee lifter so that both hands remain free to guide the fabric, a great benefit, for example, when sewing corners. When you operate the knee lifter, the feed dogs are lowered, which provides more clearance when positioning the project. Other highlight features include the BERNINA foot control and the programmable needle stop position.

With the BERNINA Foot Control, a heel kick lets you raise or lower the needle by half a stitch, making sewing more convenient. The desired needle stop position can now also be programmed directly via the foot control. It is up to you whether the needle stops up or down when the sewing is paused.

Both models include the Slide-on Table as standard. In addition, the L 620 has a Coverstitch Insert with seam guide markings that is compatible with the Slide-on Table.

ONE-STEP BERNINA AIR THREADER

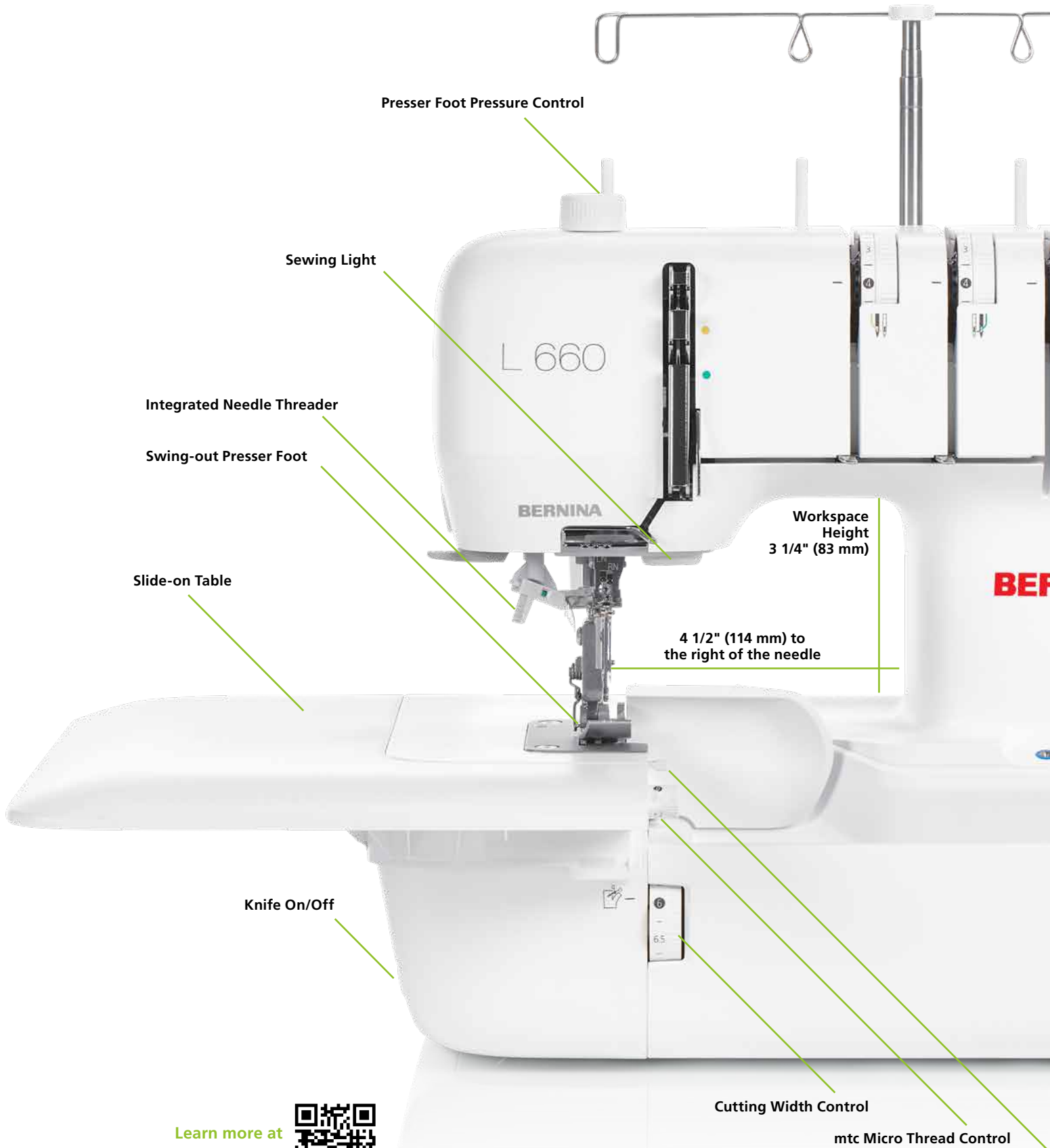
All three models feature the One-step BERNINA Air Threader, ensuring fast and uncomplicated looper threading. You can thread your machine in any sequence, making even re-threading a breeze. Hold the threads over the Air Threader, press the foot control, and the threads are drawn in by air. Effortless and smart! Thanks to the needle stop up, the loopers are automatically moved to the correct position for the Air Threader. No turning the handwheel — just thread in a flash and you're ready to sew!



Brightly lit One-step BERNINA Air Threader – easy to access and comfortable to operate

L 660 OVERLOCK

Exploring New Possibilities with Ease



Learn more at
bernina.com/L660



Cutting Width Control

mtc Micro Thread Control

Two Compact Overlock Machines for Every Application

The BERNINA L 660 and L 650 are two powerful overlock machines for working with a wide variety of threads and fabrics. In particular stretchy and knitted materials can be handled precisely and reliably using 2, 3 or 4 threads. Both models create professional overlock stitches, edge finishes, and rolled hems, delivering top-level sewing comfort throughout.

CONVENIENT HANDLING

Needles and loopers can be threaded effortlessly thanks to Colour-coded One-path Threading and the One-Step BERNINA Air Threader. With the Needle Stop Up, they are always in the correct threading position. While sewing, the upper knife can be easily operated from the outside. And if you need more space around the needle area, you can simply swing the presser foot to the side.

HIGH OPERATING COMFORT

The L 660 offers even more convenience: the Built-in Needle Threader means the needles can be threaded quickly and easily. With the integrated BERNINA Free Hand System (FHS) and knee lifter, you can raise the presser foot while simultaneously lowering the feed dog. The needle stop can be programmed down or up via the foot control. The Speed Control and Dimmable Sewing Light offer additional sewing comfort. As an added bonus, the L 660 comes standard with a Slide-on Table.



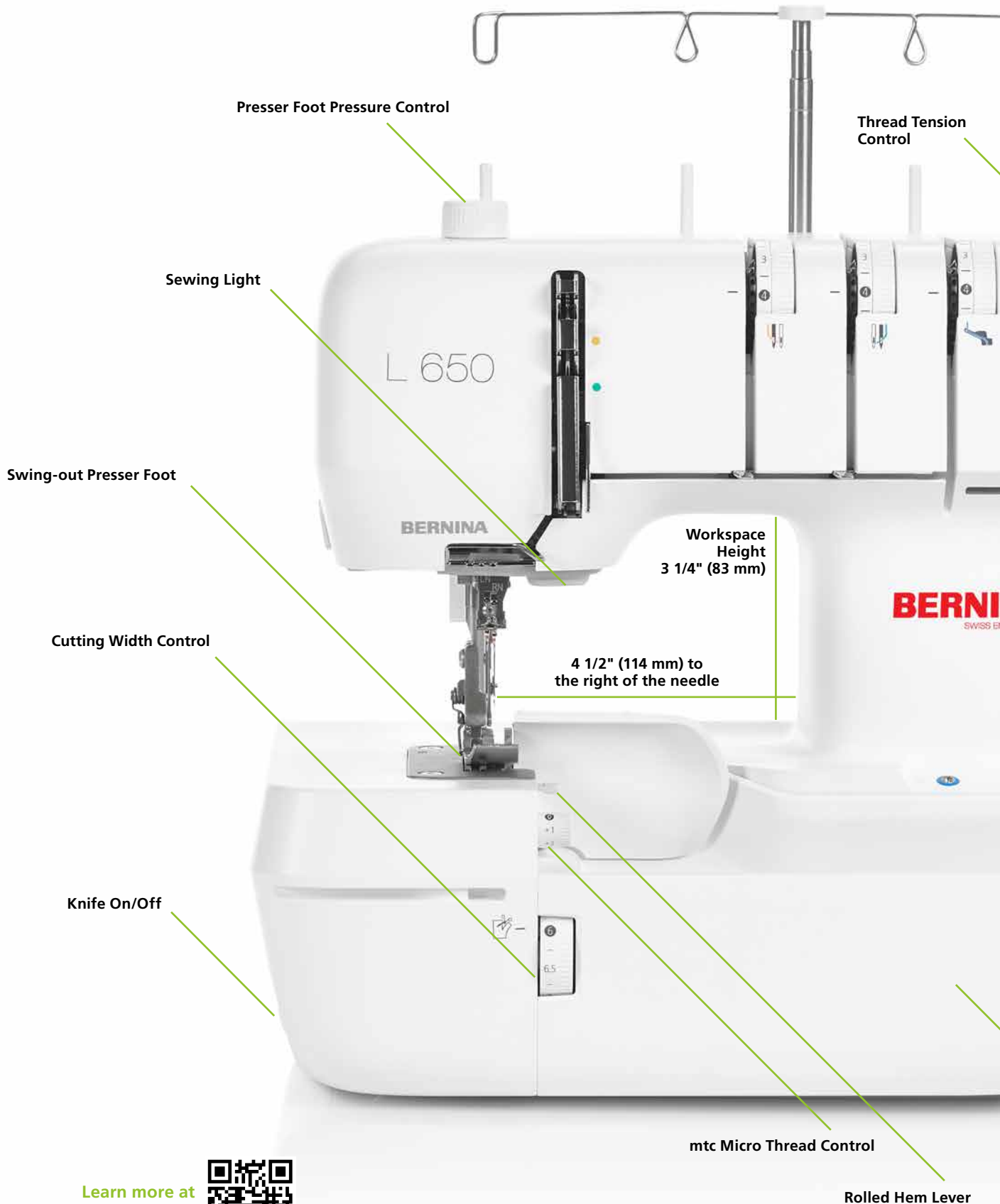
"The L 660 proves that overlockers do not have to be difficult. It's not necessary."

SERENA,
CONTENT CREATOR "SEWRENA" FROM THE USA



L 650 OVERLOCK

The Perfect Finish Made Easy



Learn more at
bernina.com/L650





FAST, PRECISE AND QUIET

The L 660 and L 650 reach a maximum sewing speed of 1,200 stitches per minute. Via the foot control, the motor can be precisely controlled for a strong and consistent performance at any sewing speed. This not only enables fast sewing, but also allows you to sew slowly, stitch by stitch, making it much easier to achieve perfect seams, especially in corners or curves.

MICRO THREAD CONTROL (MTC)

Micro Thread Control (mtc) allows you to precisely control the amount of looper thread that wraps around the fabric edge. Fine-tuning can be done while sewing, ensuring outstanding stitches in every project.

ULTIMATE CONVENIENCE

All settings corresponding to the stitch and the fabric can be adjusted while sewing, including the cutting width and the stitch length. For wave-free seams in knitted fabrics or when working with particularly delicate fabrics where seam puckering is not wanted, the Differential Feed is fully adjustable.

"The L 650 is perfect for getting started."

ANNA,
PATTERN DESIGNER "SEW.LALA" FROM
SWITZERLAND



L 620 COVERSTITCH

Coverstitching at Its Finest

The BERNINA L 620 is the new benchmark in coverstitching. With 120 mm to the right of the needles, a Drop Feed Dog and Programmable Needle Stop up or down, it offers unique sewing comfort. Control your sewing speed with the BERNINA Foot Control from stitch-by-stitch sewing up to a super fast 1,200 stitches per minute. Threading is outstandingly easy due to the illuminated One-step BERNINA Air Threader and a built-in Semi-Automatic Needle Threader. The freedom to thread in any sequence adds even more convenience. A Sewing Light with Dimmer Function brightly illuminates your stitching area. The Slide-on Table is included in the package, providing a large, comfortable workspace.

With the L 620, you'll easily achieve results that match highquality manufactured products in both appearance and function.

COVERSTITCH

Sew highly elastic seams with 3 or 4 threads, create hems, bindings, topstitching and embellishments with decorative threads. Coverstitches are super stretchy and ideal for flat joining seams in sportswear or for attaching lace or elastic band.

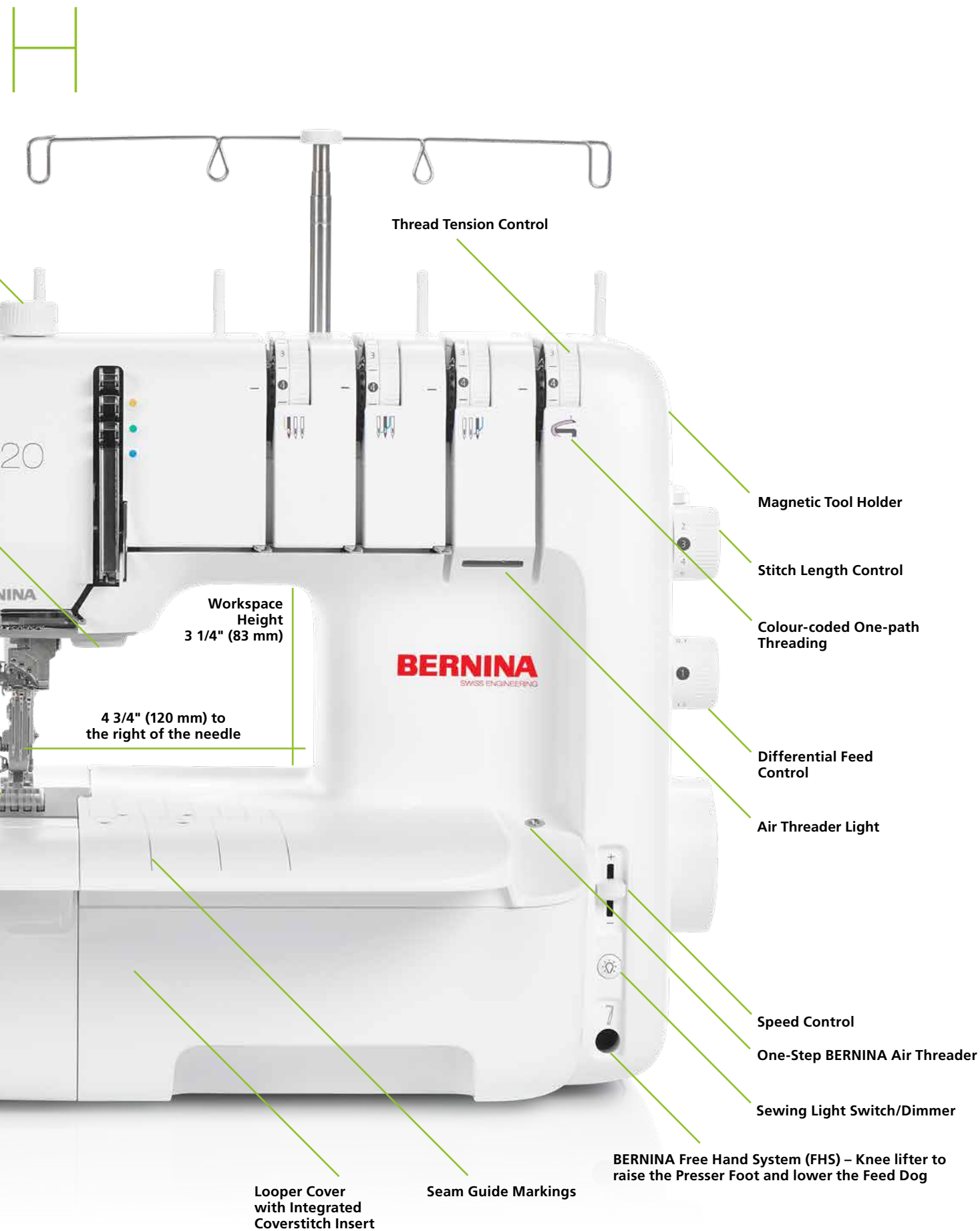
CHAINSTITCH

A 2-thread chainstitch is ideal to sew woven and slightly stretchy fabrics. It is perfect when it comes to topstitching, for appliqué, decorating and even basting. Sew pucker free seams or gather easily with the Differential Feed.



"With the L 620, I can sew the perfect coverstitch in less than ten minutes."

CHRISTIN,
CONTENT CREATOR "DESIGNERELLA.BELLA"
FROM GERMANY



Learn more at
bernina.com/L620





Programmable Needle Stop, Swing-out Presser Foot and Integrated Needle Threader (the latter for the L 660 and L 620 only)



Spacious sewing area and Slide-on Table included (L 660, L 620)



BERNINA Free Hand System (FHS) with Feed Dog Drop (L 660, L 620)



All models in the L 6 series offer excellent sewing light, with the L 620 and L 660 also featuring a dimming function



Convenient knife operation easily accessible from the outside



Easy adjustments, Colour-coded Threading Paths, threading any sequence

Features

STITCH PATTERNS	L 660	L 650	L 620
Stitch Patterns in total	18	18	7
4-Thread Overlock	1	1	–
3-Thread Overlock (wide/narrow)	2	2	–
3-Thread Super-Stretch	1	1	–
3-Thread Flatlock (wide/narrow)	2	2	–
3-Thread Narrow Seam	1	1	–
3-Thread Rolled Hem	1	1	–
3-Thread Picot Stitch	1	1	–
2-Thread Overlock (wide/narrow)	2	2	–
2-Thread Flatlock (wide/narrow)	2	2	–
2-Thread Rolled Hem	1	1	–
2-Thread Wrapped Overlock (wide/narrow)	2	2	–
2-Thread Blanket Stitch (wide/narrow)	2	2	–
4-Thread Coverstitch	–	–	1
3-Thread Coverstitch (wide/narrow)	–	–	3
2-Thread Chainstitch	–	–	3

FEATURE HIGHLIGHTS	L 660	L 650	L 620
One-Step BERNINA Air Threader (for looper threads)	✓	✓	✓
Space to the Right of the Needle	114 mm	114 mm	120 mm
Workspace Height	83 mm	83 mm	83 mm
BERNINA Free Hand System (FHS) with Knee Lifter and Feed Dog Drop	✓	–	✓
Swing-out Presser Foot with Auto Swing Back	✓	✓	✓
Integrated Needle Threader	✓	–	✓
2-step Presser Foot Lifter with Front-Foot-Lift	✓	✓	✓
Automatic Needle Stop Up	✓	✓	✓
Programmable Needle Stop Up/Down	✓	–	✓
Needle Up/Down via the BERNINA Foot Control	✓	–	✓
Stitch-by-Stitch Sewing	✓	✓	✓
Colour-coded One-path Threading	✓	✓	✓
Thread Tension Adjustable While Sewing	✓	✓	✓
Thread Tension Release with Raised Presser Foot	✓	✓	✓
mtc Micro Thread Control	✓	✓	–
Adjustable Stitch Length while Sewing	✓	✓	✓
Adjustable Differential Feed while Sewing	✓	✓	✓
Adjustable Cutting Width while Sewing	✓	✓	–
Rolled Hem Lever integrated under Stitch Plate	✓	✓	–
Fine Adjustment of Stitch Length for Rolled Hem	✓	✓	–
Easy to Engage and Disengage the Knife from Outside	✓	✓	–
Speed Control	✓	–	✓
Sewing Light Switch/Dimmer	✓	–	✓
Air Threader Light	✓	✓	✓
Integrated Upper Looper Converter	✓	✓	–
Sewing Light	✓	✓	✓
Thread Cutter	✓	✓	✓
Magnetic Tool Holder	✓	✓	✓

TECHNICAL DATA	L 660	L 650	L 620
Stitch Width Overlock 3 - 9 mm	✓	✓	–
Stitch Width Coverstitch 3/6 mm	–	–	✓
Stitch Length Overlock 0.8 - 4.5 mm	✓	✓	–
Stitch Length Coverstitch 1.5 - 5 mm	–	–	✓
Differential Feed 0.7 - 2	✓	✓	✓
3-step Presser Foot Pressure Adjustment	✓	✓	✓
Motor	DC	DC	DC
Maximum Sewing Speed (stitches per minute)	1,200	1,200	1,200
Weight of the Machine	9.9 kg	9.7 kg	9.5 kg

STANDARD ACCESSORIES	L 660	L 650	L 620
Overlock Foot (with tape guide #L11)	✓	✓	–
Cover/Chainstitch Foot #C28	–	–	✓
Slide-on Table	✓	Optional	✓
Looper Cover with built-in Cut-offs Bin	✓	✓	–
Looper Cover with built-in Coverstitch Insert	–	–	✓
Coverstitch Insert for Slide-on Table	–	–	✓
BERNINA Foot Control with Back-kick Function	✓	Optional	✓
BERNINA Foot Control	–	✓	–
Tweezers	✓	✓	✓
Manual Needle Threader/Inserter	✓	✓	✓
Needle Set ELX705 CF, assorted	✓	✓	✓
Brush	✓	✓	✓
Screwdriver	✓	✓	✓
CS Lock Tool	✓	✓	–
Knee Lifter	✓	–	✓
Spool Net	✓	✓	✓
Spool Cap	✓	✓	✓
Spool Stabilizer	✓	✓	✓
Overlocker Oil	✓	✓	–
Tools and Accessories in Separate Box	✓	✓	✓
Dust Cover	✓	✓	✓

Changes to equipment and design are subject to change without notice.
For more information, please contact your BERNINA dealer.



Flawless seams and hems

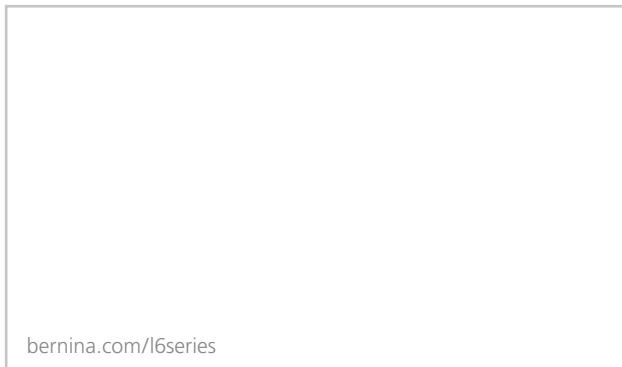


Large working area, magnetic all-in-one looper cover and compact size



BERNINA

made to create



bernina.com/l6series

We reserve the right to make changes to machine features, equipment and design. Additional information available at your local BERNINA store.

Not all models are available in every country.

BERNINA recommends threads from

Mettler[®]