

# LSC series

Single needle, High speed, Narrow Cylinder bed, Horizontal axis hook, Compound feed and walking foot, Lockstitch machines



LSC-8B-1

## Variety



**LSC-8B-1**  
Standard hook, reverse stitch



**LSC-8BV-1**  
Standard hook, reverse stitch, synchronized binder



**LSC-8BL-1**  
Large hook, reverse stitch



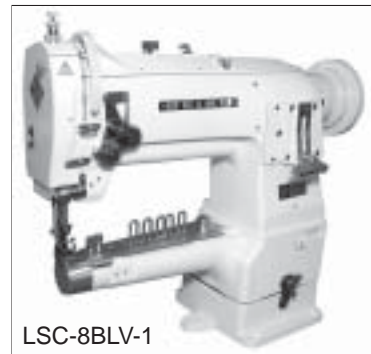
**LSC-8BLV-1**  
Large hook, reverse stitch, synchronized binder



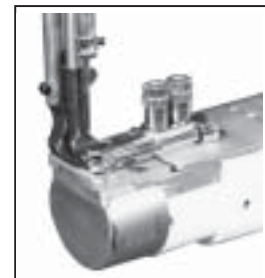
**LSC-8BLH-1**  
Large hook, reverse stitch, horizontal feed



**LSC-8BHC**  
Standard hook, reverse stitch, thread trimmer, horizontal feed



LSC-8BLV-1



Synchronized binder

## Applications

For sewing medium to heavy weight fabrics, leather, vinyl, synthetics and laminated and coated materials.

Suitable for tubular and curved products with narrow openings such as hats, caps, shoes, bags, handbags, etc.



# LSC series

## Gauge Parts (LSC- V/H)

Gauge Parts Number	Needle Plate	Feed Dog	Inside Foot	Outside Foot	Remarks	
<b>V - 1</b>	17089	17073	17086	17083	Standard Left side from needle dropping point is 9 mm	
<b>V - 2</b>	17090	17074	17087	17084	Left side from needle dropping point is 7 mm	
<b>V - 3</b>	17091-A	17075-A	17108	17083	L Type	
<b>V - 4</b>	170380	17073	17390	17083	Standard for thread trimmer Left side from needle dropping point is 9 mm	
<b>V - 5</b>	170381	17074	17391	17084	For thread trimmer Left side from needle dropping point is 7 mm	
<b>V - 6</b>	17089	17561	17086	17083	Large hook Left side from needle dropping point is 9 mm	
<b>V - 7</b>	17090	17562	17087	17084	Large hook Left side from needle dropping point is 7 mm	
<b>H - 1</b>	17089-A	17073-A	17086-A	17083-A	Standard For pouched products in general	
<b>H - 2</b>	17113	17105	17086-B1	17083-B1	For pouched products in general	
<b>H - 3</b>	17113	17105	17086-B2	17083-B2	For piping work (right)	
<b>H - 4</b>	17113	17105	17086-B3	17083-B3	For piping work (left)	
<b>H - 5</b>	17113-B5	17105-B5	17086-B5	17083-B5	Auxiliary needle plate 17112-B5	Especially for sewing pouched products
<b>H - 6</b>	17089A8	17565	17086-A	17083-A	Large hook	
<b>H - 7</b>	17383	17400	17392	17083-B1	For thread trimmer	

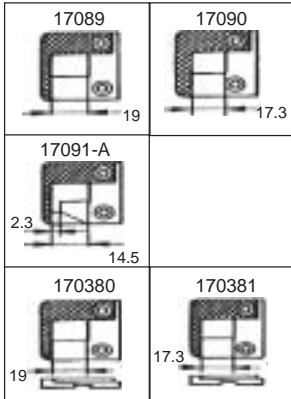
(Note) 17089A8 (needle plate), 17073A8 (feed dog) are also used with inside foot and outside foot of H-2.

Various kinds of gauge parts are available besides above illustrated types.

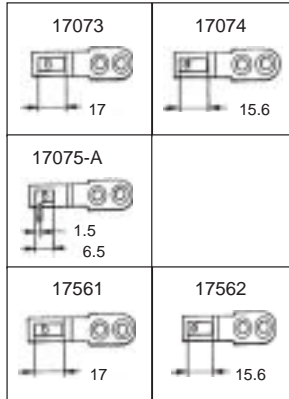
# LSC series

## For V series

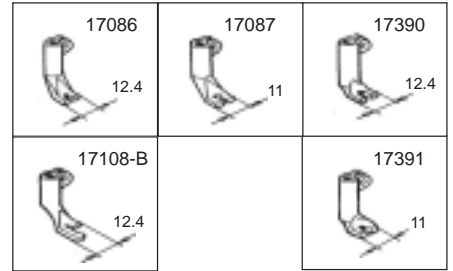
V - Needle plate (mm)



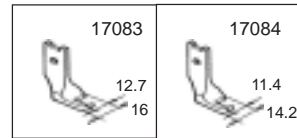
V - Feed dog (mm)



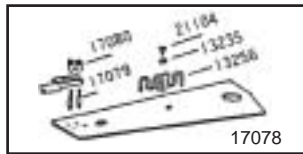
V - Inside foot (mm)



V - Outside foot (mm)



For LSC-8BV



13260C



The above parts are to be used for acceptance of binder on LSC-8BH

2 - folds

3 - folds

4 - folds

A TYPE

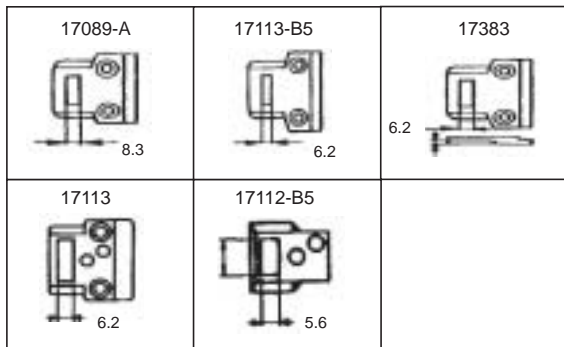


B TYPE

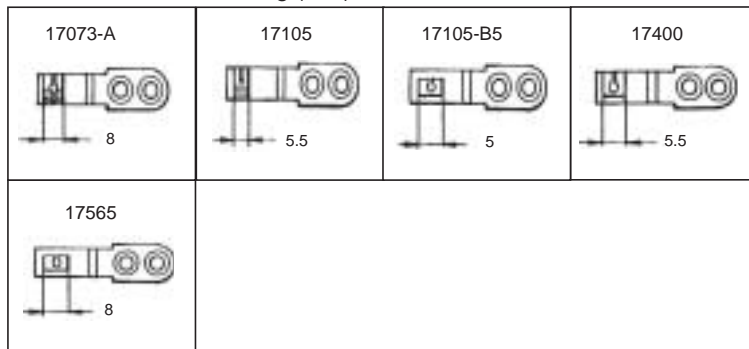


## For H series

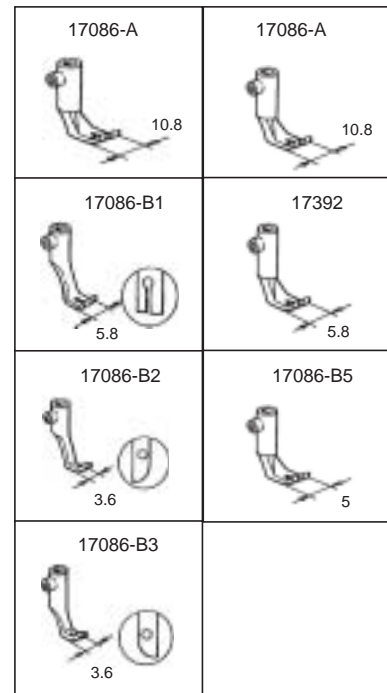
H - Needle plate (mm)



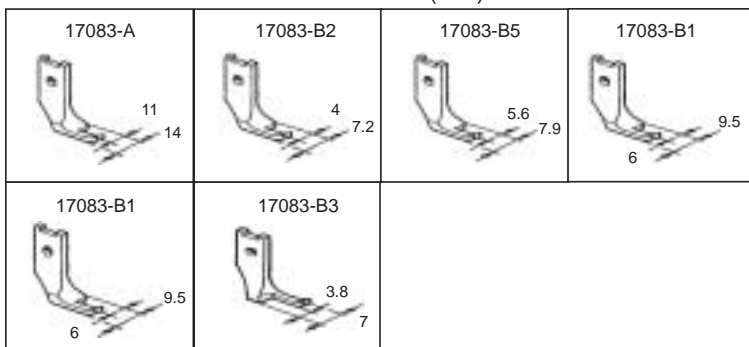
H - Feed dog (mm)



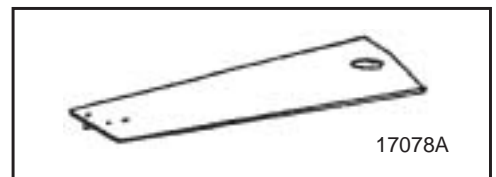
H - Inside foot (mm)



H - Outside foot (mm)



For LSC-8BH



When using gauge parts in H series, the upper plate (No.17078A) for LSC-8BH is to be used for LSC-8BV.

## Features

- Narrow cylinder bed 1-13/16"(46 mm) dia.
  - \* Large hook machines : 1-31/32"(50 mm) dia.
- Semi-automatic lubrication system.
- Horizontal axis hook (standard or large capacity hook).
- Reverse stitching.
- Thread trimmer. (-8BHC)
- Compound feed and walking foot mechanism assures even feeding of several piles or of slippery materials.
- Synchronzied binder. (-8BV-1, -8BLV-1)
- Automatic back tack (BT) and foot lift (FL) available.
- Various gauge sets available.



LSC-8B-1



## Specifications (LSC- )

Variety	8B-1	8BV-1	8BL-1	8BLV-1	8BLH-1	8BHC
Number of needle	Single needle					
Max. sewing speed	2,300(s.p.m.)	2,500(s.p.m.)	2,200(s.p.m.)		2,500(s.p.m.)	
Max. stitch length	15/64" (6 mm)		9/32" (7 mm)		15/64" (6 mm)	
Clearance under presser foot	by pedal	33/64" (13 mm)				33/64" (13 mm)
	by hand	5/16" (8 mm)				9/32" (7 mm)
Needle bar stroke	1-5/16" (33.2 mm)					
Needle(standard)	DPx17 (#18)	DPx17 (#16)	DPx17 (#18)	DPx17 (#16)	DPx17 (#18)	
	135x17 (#110)	135x17 (#100)	135x17 (#110)	135x17 (#100)	135x17 (#110)	
Thread	#20 (standard)	#30 (standard)	#20 (standard)	#30 (standard)	#20 (standard)	
Hook	Horizontal axis hook					
Amount of lift of walking foot	1/8"-15/64" standard 5/32" (3 - 6 mm) (standard 4 mm)					
Thread take up lever	Slide type					
Lubrication	Semi-automatic lubrication					
Cylinder size	1-13/16" (46 mm) dia.		1-31/32" (50 mm) dia.		1-13/16" (46 mm) dia.	
Working space	10-5/32"x 4-21/64" (258 x 110 mm)					
Motor	Clutch motor				AC servo motor	
Net weight(Head only)	29Kg				30Kg	
Feeding system	elliptical	horizontal	elliptical	horizontal		

NOTE: (1) Speed depends on threads, materials and type of operation  
(2) Specifications subject to change without notice



### SEIKO SEWING MACHINE CO., LTD.

2-13-6, Sakaecho, Funabashi-shi  
Chiba Prefecture, 273-0018, Japan

Phone : +81-47-420-3561 (Overseas dept.)

Fax : +81-47-420-3560

E-mail : export@seiko-sewing.co.jp

<http://www.seiko-sewing.co.jp/>