

***We thank you for purchasing your machine at The Sewing Circle***

These classes (whichever are applicable) are FREE with your purchase. Please come in or call us to sign up. If you sign up online the website will charge you for the class. All of these classes are typically \$60 per session to those who did not purchase their machine with us. If you need a jump start on your new machine (before you can attend a formal class), we can arrange a 1 Hour "jump-start" private lesson with you on the basic features to get you started. Just let us know! Also, if there are no classes you can attend, please email Melissa at: [Melissa@the-sewingcircle.com](mailto:Melissa@the-sewingcircle.com) and we will create more class opportunities.

**NEW Machine Owner's Classes**

**Machine Owner's 1:** This class is for those who have just purchased a sewing machine. It is for Singer, Husqvarna Viking and PFAFF new machines ONLY. Topics to be covered: General maintenance, threading and selecting stitches on your sewing machine, needle, needle know-how, thread know-how.

Wed 8 Jan 2020 9:30 – 11:30am  
Mon 27 Jan 2020 2 – 4pm  
Sat, 1 Feb 2020 10am – 12pm  
Thu 13 Feb 10am-Noon  
Fri 13 Mar 10am - Noon

Mon 30 Mar 2020 2 – 4pm  
Tues 14 Apr 2020 10am – Noon  
Sat 30 May 2020 10am – Noon  
Tues 30 Jun 2020 10am – Noon  
Sat 8 Aug 2020 1 – 3pm

Mon 28 Sept 2020 10am – Noon  
Thu 29 Oct 2020 10am – Noon  
Sat 21 Nov 2020 10am – Noon  
Mon 14 Dec 2020 10am - Noon

**Machine Owner's 2:** Using features of your machine: Changing length, width, density, tension, presser foot pressure. Hemming denim, blind hems, stretch seams, over-casting various types of fabric, differences of stitches based on fabric types, button holes, sewing buttons on by machine, twin needles, wing needles, using safety features, programming stitches, saving stitches, lettering, fix stitches vs tie-offs vs reverse, cutting features, creating stitches/editing stitches, programming...

Wed 22 Jan 2020 10am - Noon  
Sat 11 Jan 2020 10am - Noon  
Mon 3 Feb 2020 2 – 4pm  
Sat 29 Feb 2020 10am – Noon  
Thu 12 Mar 2020 1 - 3pm

Sat 21 Mar 10am - Noon  
Tue 28 Apr 2020 2 – 4pm  
Sat 6 June 2020 10am – Noon  
Tue 7 July 2020 10am – Noon

Sat 15 Aug 2020 10am – Noon  
Mon 5 Oct 2020 10am – Noon  
Sat 4 Dec 2020 10am – Noon  
Mon 28 Dec 2020 10am - Noon

**Machine Owner's 3 (ALL embroidery machines- Beginning Machine Embroidery):** You will learn the proper threads, stabilizers and basic hooping techniques to successfully embroider on your machine. Positioning and manipulating your embroidery designs once you load them onto the machine will also be introduced. You will save and stitch a simple design as well as recover from a variety of failures during your embroidery.

Wed 29 Jan 2020 1 – 3pm  
Mon 10 Feb 2020 2 – 4pm  
Sat 7 Mar 2020 10am – Noon  
Thu 26 Mar 2020 1 – 3pm

Mon 13 Apr 2020 2 – 4pm  
Sat 13 June 2020 10am – Noon  
Tue 28 July 2020 10am – Noon  
Sat 29 Aug 2020 10am – Noon

Mon 12 Oct 2020 10am – Noon  
Fri 11 Dec 2020 10am - Noon

**Machine Owner's 4 (wifi enabled use)**– EPIC 980Q, EPIC, EPIC 2, Brilliance 80, Performance Icon, Creative Icon)  
Using WIFI/MySewnet, using the MySewnet Cloud, using the Blog, programming sewing stitches, saving to MySewnet, beginning Phone/Tablet Apps.

Thu 9 Jan 2020 10am – Noon  
Sat 1 Feb 2020 1 – 3pm

Thu 23 Apr 2020 10am – Noon  
Thu 4 Jun 2020 10am – Noon

Thu 3 Sep 2020 10am – Noon  
Sat 5 Dec 2020 10am - Noon

**Machine Owner's 5: EPIC EDITION (Brilliance 80, Designer EPIC & EPIC 2):** Beginner EPIC tools:  
Sewing the stitches, screen functions, programming (both sewing and embroidery), using the Binding Attachment.

Thu 6, 13 Feb & 5, 12 Mar 2020 10am – Noon  
Sat 14, 21 Mar & 11, 25 Apr 2020 1 – 3pm  
Thu 2, 9, 16, 23 Jul 2020 10am – Noon

Thu 1, 8, 15, 22 Oct 2020 10am – Noon  
Mon-Thu 30 Nov, 1, 2, 3 Dec 2020 10am - Noon

**Machine Owner's 6: ICON EDITION (Performance ICON, Creative ICON):** Beginner ICON tools:  
Sewing the stitches, screen functions, programming (both sewing and embroidery), using the Binding Attachment.

Sat 25 Jan & 8, 22, 29 Feb 2020 1 – 3pm  
Fri 10, 24 Apr & 8, 15 May 2020 10am – Noon

Wed 1, 8, 15, 22 Jul 2020 10am - Noon  
Wed 9, 16, 23, 30 Sep 2020 10am - Noon

### Machine Embroidery Club:

Learn more about machine embroidery. Every month will have a different technique to help you embroider better. Please be aware of machine hoop requirements when signing up. This and topics will be listed on our website:

[www.the-sewingcircle.com](http://www.the-sewingcircle.com)

Tue 21 Jan 2020 1 – 3pm  
Tue 18 Feb 2020 1 - 3pm  
Tue 17 Mar 2020 1 - 3pm  
Tue 21 Apr 2020 1 - 3pm

Tue 19 May 2020 1 - 3pm  
Tue 16 Jun 2020 1 - 3pm  
Tue 21 Jul 2020 1 - 3pm  
Tue 18 Aug 2020 1 - 3pm

Tue 15 Sep 2020 1 - 3pm  
Tue 20 Oct 2020 1 - 3pm  
Tue 17 Nov 2020 1 - 3pm  
Tue 15 Dec 2020 1 - 3pm

Sat 18 Jan 2020 2 – 4pm  
Sat 15 Feb 2020 2 – 4pm  
Sat 21 Mar 2020 2 – 4pm  
Sat 18 Apr 2020 2 – 4pm

Sat 16 May 2020 2 – 4pm  
Sat 20 Jun 2020 2 – 4pm  
Sat 18 Jul 2020 2 – 4pm  
Sat 15 Aug 2020 2 – 4pm

Sat 19 Sep 2020 2 – 4pm  
Sat 17 Oct 2020 2 – 4pm  
Sat 21 Nov 2020 2 – 4pm  
Sat 19 Dec 2020 2 – 4pm

### PFAFF ICON & Husqvarna-Viking EPIC Clubs

Learn more about the advanced features of the ICON and EPIC machines. Fun projects to encourage the use of more advanced features of your new machine. Some clubs will be demonstration only, some will require you to bring your machine and accessories. Please check the website ([www.the-sewingcircle.com](http://www.the-sewingcircle.com)) We will post the topic and the supplies in advance of the class. Please sign up well in advance so that we will have the supplies or handouts ready for you.

#### Husqvarna-Viking EPIC Club:

Fri 21 Feb 2020 10am – Noon  
Sat 9 May 2020 10am – Noon  
Thu 13 Aug 2020 10am – Noon  
Thu 5 Nov 2020 10am – Noon

#### PFAFF ICON Club:

Sat 7 Mar 2020 1 – 3pm  
Fri 5 Jun 2020 10am – Noon  
Wed 29 Jul 2020 10am – Noon  
Wed 7 Oct 2020 10am – Noon

# NEW Serger Owner's Classes

**Serger Owner's 1:** Learn how to maintain and thread the 4-thread functions of your machine. Tension, stitch length, stitch width, differential, needle use and problems with stitches. (Threading, seams on woven fabrics, finishing seams)

Thu 23 Jan 2020 3 – 5pm

Sat 7 Mar 2020 10am - Noon

Wed 20 May 2020 10am – Noon

Sat 11 July 2020 10am – Noon

Fri 18 Sept 2020 10am – Noon

Wed 11 Nov 2020 3 – 5pm

Sat 12 Dec 2020 10am - Noon

**Serger Owner's 2:** Learn how to maintain and thread the 2 & 3 thread functions of your machine. Tension, stitch length, stitch width, differential, needle use and problems with stitches (rolled edges, flatlocks, seams on fine fabric, seams on stretch fabric.)

Thu 30 Jan 2020 3 – 5pm

Sat 14 Mar 10am – Noon

Wed 3 Jun 2020 10am – Noon

Sat 18 July 2020 10am – Noon

Fri 25 Sept 2020 10am – Noon

Wed 18 Nov 2020 3 – 5pm

Sat 26 Dec 2020 10am - Noon

**Serger Owner's 3:** Learn how to maintain and thread the coverstitch/coverlock thread functions of your machine. Tension, stitch length, stitch width, differential, needle use and problems with stitches. If your machine does not have coverstitch, you will not need this class. (Converting to Coverstitch functions. Seams on stretch fabric, hemming with coverstitch, seams with the chainstitch)

Thu 6 Feb 2020 3 – 5pm

Sat 28 Mar 2020 1 – 3pm

Wed 10 Jun 2020 10am – Noon

Sat 1 Aug 2020 10am – Noon

Fri 2 Oct 2020 10am – Noon

Wed 25 Nov 2020 3 – 5pm

**Serger Club:** Learn more about your serger. Each session will focus on a different use of the fun stitches.

Check out the topics and stitch requirements on our website: [www.the-sewingcircle.com](http://www.the-sewingcircle.com)

Fri 31 Jan 2020 10am – Noon

Fri 27 Mar 2020 10am – Noon

Fri 29 May 2020 10am – Noon

Fri 31 Jul 2020 10am – Noon

Fri 25 Sep 2020 10am – Noon

Fri 27 Nov 2020 10am – Noon

## There is a foot for that.....FOOT FEVER

Free classes with the purchase of your *NEW* machine

Please call to sign up.

Wed 5 Feb 2020 10am – Noon: Utility Garment accessories part 1

Wed 11 Mar 2020 10am – Noon: Utility Garment accessories part 2

Wed 33 Apr 10am – Noon: Home Dec accessories part 1

Wed 13 May 10am – Noon: Home Dec accessories part 2

Wed 17 Jun 2020 10am – Noon: Decorative & Crafting accessories

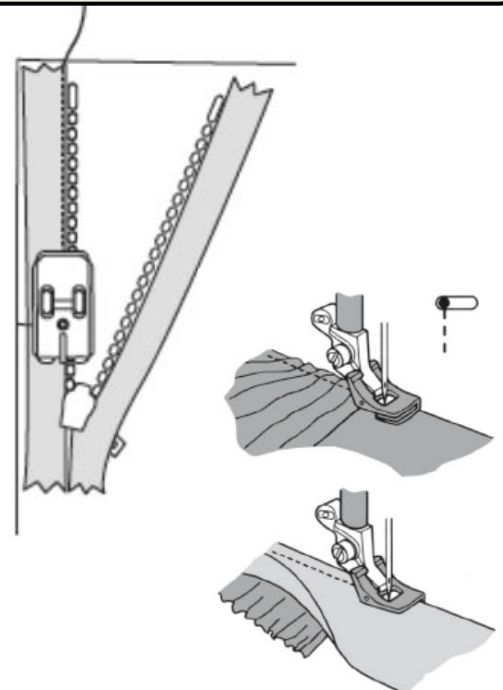
Wed 19 Aug 2020 10am - Noon: Heirloom Sewing accessories

Wed 2 Sep 2020 10am – Noon: Quilting and Piecing accessories

Wed 29 Oct 2020 10am - Noon: Felting, Ribbon Attachment, Bobbin work

Come join us for a short demonstration of a variety of feet. You do NOT need to bring your machine – we will have machines set up for you to try the new techniques.

We will provide the supplies for you to build your OWN accessory manual with samples.



# NEW Embroidery Software Owner's Classes

**Emb. Software Owner's 1:** Intro Class #1 will get you started using the software: understand the settings, understand the tabs, ribbon-bars, modules and be ready to take on all the future classes and clubs. We will make a SIMPLE name tag as a starter activity.

Thu 30 Jan 2020 10am – Noon      Sat 4 Apr 2020 10am – Noon  
Fri 10 Jul 2020 10am – Noon      Mon 19 Oct 2020 1 – 3pm  
Tue 8 Dec 2020 10am – Noon

**Emb. Software Owner's 2:** *This class is the first class for all levels with purchased software. We will focus on the "Embroidery & Embroidery Extra" modules. You will work with many of the basic features in the software: encore, text, borders, frames, super-designs, wizards.*

Sat 6 Feb 2020 10am – Noon  
Sat 11 Apr 2020 10am – Noon  
Fri 17 Jul 2020 10am – Noon  
Mon 26 Oct 2020 10am - Noon

**Emb. Software Owner's 3:** *We will focus in this class on discovering the features available in Embroidery Extra. Premier+2 Embroidery Extra or Premier+2 Ultra are required*  
Many of the advanced features in the wizards will be explored.

Thu 20 Feb 2020 10am – Noon  
Sat 2 May 2020 10am – Noon  
Fri 24 July 2020 10am – Noon  
Mon 2 Nov 2020 10am – Noon

**Emb. Software Owner's 4:** *We will focus in this class on discovering the features available in Embroidery Extra. Premier+2 Ultra is required.*

We will work on designing our own embroidery designs from clipart.

Wed 22 Jan 2020 1 – 3pm  
Wed 1 Apr 2020 10am – Noon  
Sat 20 Jun 2020 10am – Noon  
Sat 26 Sep 2020 1- 3pm

## Embroidery Software Club:

What can you do with your software? Join software club and experience creative uses of your software. Check out the topics and software requirements on our website:

[www.the-sewingcircle.com](http://www.the-sewingcircle.com)

Fri 24 Jan 2020 1 – 3pm  
Fri 27 Mar 2020 1 – 3pm  
Fri 29 May 2020 1 – 3pm  
Fri 24 Jul 2020 1 – 3pm  
Fri 25 Sep 2020 1 – 3pm  
Fri 4 Dec 2020 1 – 3pm



## Beginning Free Motion on your NEW Singer, Husqvarna-Viking, or PFAFF

Learn the basics of FREE-Motion on your new machine - **FREE**.

This class is FREE with the purchase of your new machine. To sign up for this FREE class please call 970-672-2147 or stop by and talk to us personally.

Fri 21 Feb 2020 1 – 3pm  
Thu 28 May 2020 10am – Noon  
Sat 25 Jul 2020 1 – 3pm  
Sat 3 Oct 2020 10am - Noon

## NEW Premier +ECQ

Works on A Windows® and Mac®

Premier+ ECQ™ is a free standing software that is built for the beginner to intermediate consumer or someone that is new to creating embroidery designs. It focuses on the Draw tab and that you draw your design the way you want it to look. As a guide you can bring in a background and use the Trace function for building your design quickly.

When your image is ready you have six export options:

- Clipart
- Embroidery with Fills
- Embroidery Appliqué
- Embroidery Outlines
- Automated Quilting
- Cutting Machine

Formats:

- Embroidery: dst, exp, jef, pes, vp3, vp4, xxx
- Cutting Machines: dxf, fcm, svg
- Quilt Automation: 4qb, cmd, cqp, dxf, hqf, iqp, plt, qcc, qli, txt
- Images: jpg, png, svg

This is an easy to use Software that has a low learning threshold and will be well suited for the creative person as well as the beginner. Premier+ ECQ™ is a great product to get someone in to embroidery and also have the capability to use together with Cutting Machines and Quilt Automation.

**Product is not sold online.** Please come into The Sewing Circle and we can get you set up!

**Classes:**

Fri 24 Jan 2020 10am – Noon  
Sat 2 May 2020 10am – Noon  
Fri 7 Aug 2020 10am – Noon  
Sat 7 Nov 2020 10am - Noon

