

FLAGPOLES

(1) - 30' AMERICAN FLAG POLE
(1) - 25' STATE FLAG POLE

STANDARD FLAGPOLE FEATURES

- GOLD ANODIZED ALUMINUM BALL
- CAST ALUMINUM SINGLE REVOLVING TRUCK ASSEMBLY WITH ALUMINUM PULLEY
- COMPLETE EXTERNAL HALYARD ASSEMBLY
 - ROPE HALYARD - #10 POLYPROPYLENE
 - TOW HEAVY-DUTY STAINLESS STEEL SWIVEL SNAP HOOKS
 - TWO NEOPRENE SNAP HOOK COVERS
- 9" HEAVY-DUTY ALUMINUM CLEAT
- SPUN ALUMINUM FLASH COLLAR
- GALVANIZED 16-GAUGE CORRUGATED STEEL GROUND SLEEVE WITH STEEL GROUNDING SPIKE

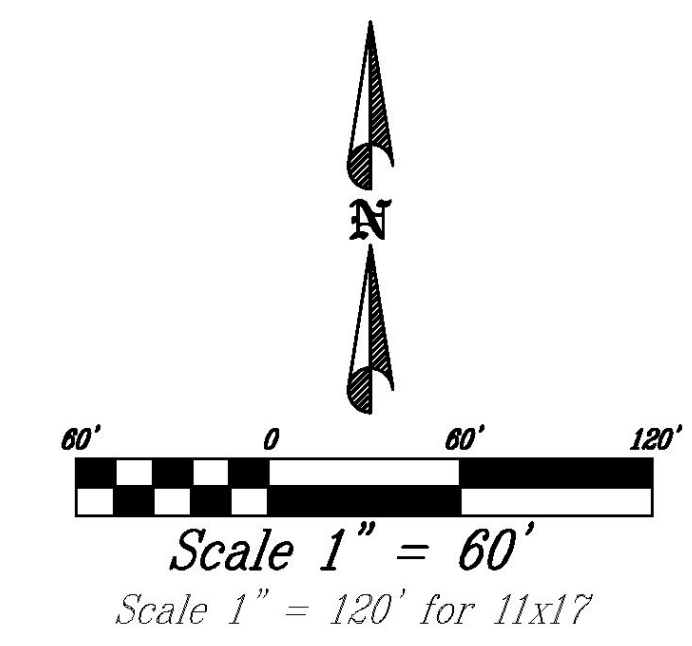
INCLUDE WITH OPTIONAL FEATURES

- LOCKING CLEAT AND HALYARD COVERS
- DOUBLE REVOLVING TRUCK

CATALOG NUMBER	HEIGHT	BASE DIA	TOP DIA	WALL THICKNESS	SET DPT	FLANGE SECTIONS	FLANGE WEIGHT	MAX FWT/SEC	WIND SPEED W/FLG	WIND SPEED W/O FLG
ESR25D61	25'	6"	3.5"	1.88"	2'-0"	1	186	5'x8'	165	250
ESR30D61	30'	6"	3.5"	1.88"	3'-0"	1	209	6'x10'	170	190

PLANT SCHEDULE

SYMBOL	QTY	BOTANICAL NAME	COMMON NAME	SYMBOL	QTY	BOTANICAL NAME	COMMON NAME
TREES							
	13	ACER FREEMANII 'AUTUMN BLAZE'	AUTUMN BLAZE MAPLE		60	GLEDITSIA TRIACANTHOS 'IMPERIAL'	IMPERIAL HONEYLOCUST
	26	MALLUS X 'SPRING SNOW' 25'H X 25'W Z4 WHITE BLOOM SPRING NO FRUIT YELLOW FALL COLOR	SPRING SNOW CRAB APPLE		20	PRUNUS VIRGINIANA 'CANADA RED' 25'H X 25'W Z2 WHITE BLOOM PURPLE FOLIAGE ORANGE FALL COLOR	CANADA RED CHOKECHERRY
	34	TILIA CORDATA 40'H X 30'W Z4	LITTLELEAF LINDEN		6	ABIES CONCOLOR H: 40-70' W: 20-30' ZONE: 3	WHITE FIR
DECIDUOUS TREES							
EVERGREEN TREES							
DECIDUOUS SHRUBS							
	90	CORNUS ALBA 'NORY HALO' TM 6'H X 6'W Z3 CREAM BLOOM LATE SPRING TO EARLY SUMMER	TATARIAN DOGWOOD		56	EUONYMUS ALATUS 'COMPACTUS' 8'H X 6'W Z4 RED FALL FOLIAGE	COMPACT BURNING BUSH
	42	FORSYTHIA X 'NORTHERN GOLD' 8'H X 7'W Z 3 YELLOW BLOOM SPRING	NORTHERN GOLD FORSYTHIA		33	PHYSCOCARPUS OPIULIFOLIUS 'DIABLO' 8'H X 8'W WHITE BLOOM MAY TO JUNE	DIABLO NINEBARK
	40	SPIRAEA PRUNIFOLIA 'BRIDALWREATH' 6'H X 6'W Z5 WHITE BLOOM MAY	BRIDAL WREATH SPIREA		60	PICEA ABIES 'NIDIFORMIS' 8'H X 12'W Z3	NEST SPRUCE
EVERGREEN SHRUBS							
ORNAMENTAL GRASSES							
	85	CALAMAGROSTIS X ACUTIFLORA 'KARL FOERSTER' 5'H X 3'W Z3	FEATHER REED GRASS		113	ECHINACEA PURPUREA 2'H X 2'W Z3 PURPLE BLOOM SUMMER	PURPLE CONEFLOWER
PERENNIALS							
	113	RUDBECKIA FULGIDA SULLIVANTII 'GOLDSTURM' 3'H X 2'W Z3 YELLOW BLOOM JUNE TO SEPTEMBER	BLACK-EYED SUSAN	PERENNIALS/GROUNDCOVERS			
	6	PHLOX SUBULATA 'EMERALD BLUE' 6'H X 24'W Z2 PURPLE BLOOM LATE SPRING	EMERALD BLUE MOSS PHLOX	GROUND COVERS			
	392.393 SF	POA PRATENSIS	KENTUCKY BLUEGRASS		38.933 SF	WLD FLOWER MIX/NATIVE GRASS MIX	WLD FLOWER MIX/NATIVE GRASS MIX
MULCH					2.681 SF	12" ENGINEERED PLAYGROUND WOOD FIBER	
	82 SF	4" GREY CHAT	GREY CHAT		30.071 SF	WASHED LANDSCAPE ROCK	2-4" COBBLE ROCK WIDEMITT PRO-5 WEED BARRIER



PARK AMENITIES	
REGULAR PARKING SPACES	151
ADA PARKING SPACES	6
TOTAL PARKING SPACES	157
SOCCER FIELDS 200'X320'	
SOCCER FIELDS 140'X240'	3
TOTAL SOCCER FIELDS	4
RESTROOMS	
PICKLEBALL COURT	2
PLAYGROUND	1
LARGE DOG PARK	13,000 SF
SMALL DOG PARK	8,900 SF
BENCHES	14



THIS DOCUMENT IS RELEASED FOR REVIEW ONLY. IT IS NOT INTENDED FOR CONSTRUCTION UNLESS SIGNED AND SEALED.

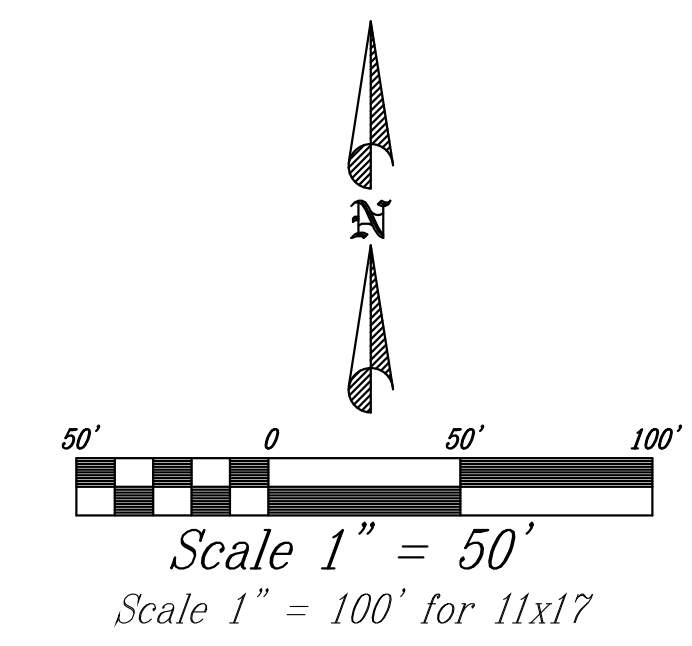
CARL N. BERG L.A.
SERIAL NO. 7162790
DATE: 10 JUN 2024

SALEM CITY
LOAFER SOCCER PARK

LANDSCAPE PLAN

380 E Main St, Suite 204
Midway, Ut 84049 ph. (801) 723-2000

DESIGN BY: DAA	DATE: 10 JUN 2024	SHEET L1
DRAWN BY: CNB	REV:	

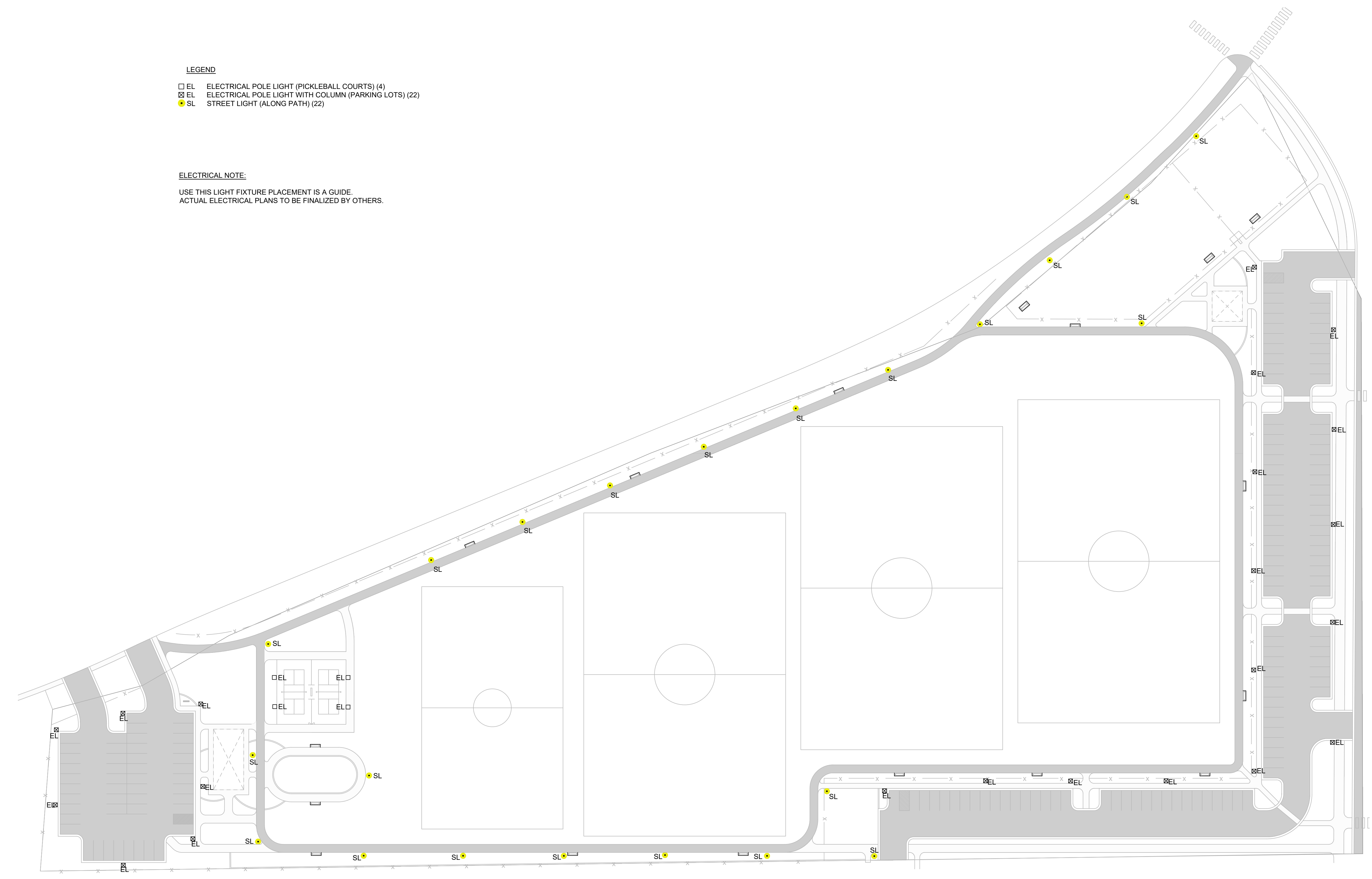


LEGEND

- EL ELECTRICAL POLE LIGHT (PICKLEBALL COURTS) (4)
- ⊠ EL ELECTRICAL POLE LIGHT WITH COLUMN (PARKING LOTS) (22)
- SL STREET LIGHT (ALONG PATH) (22)

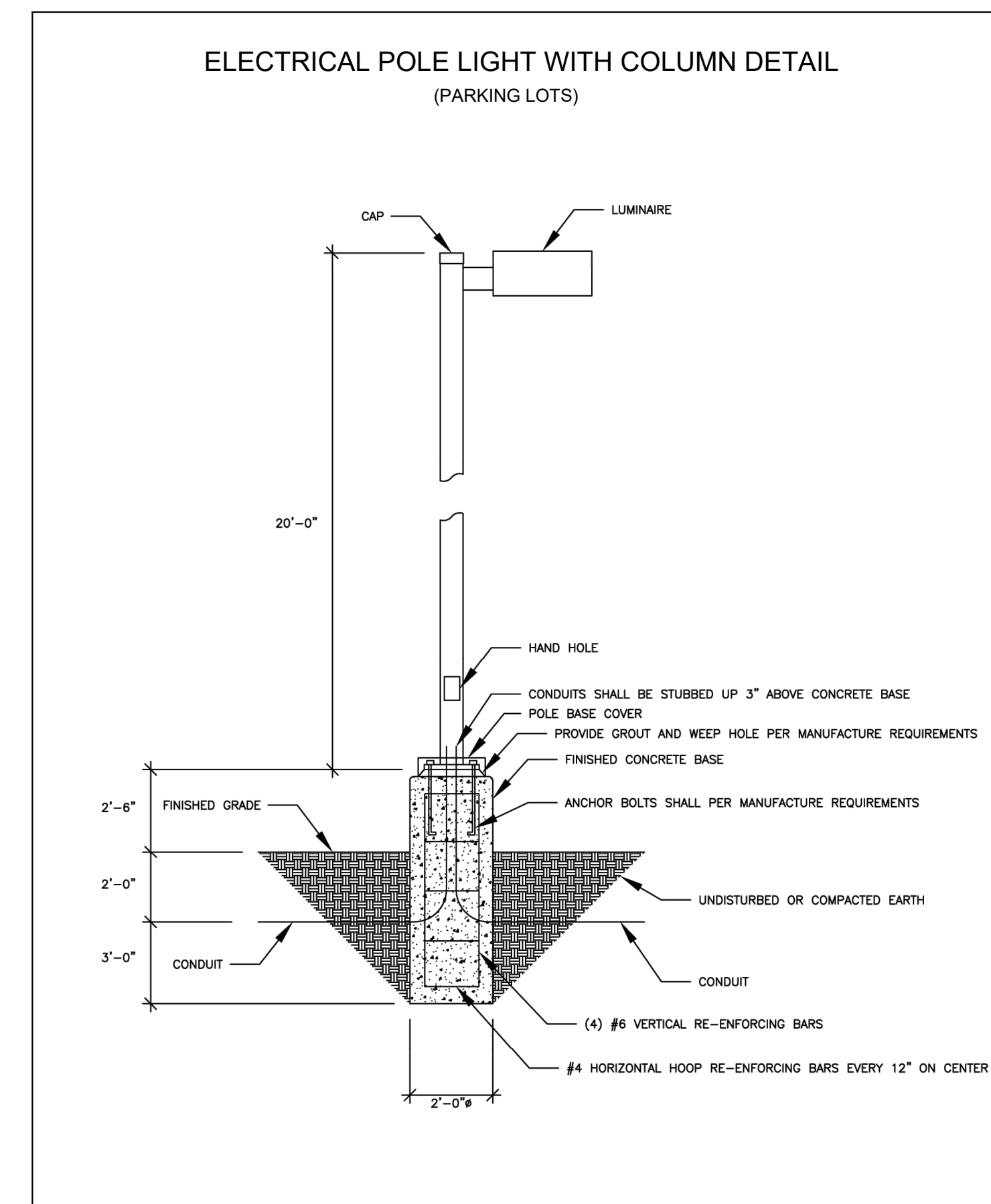
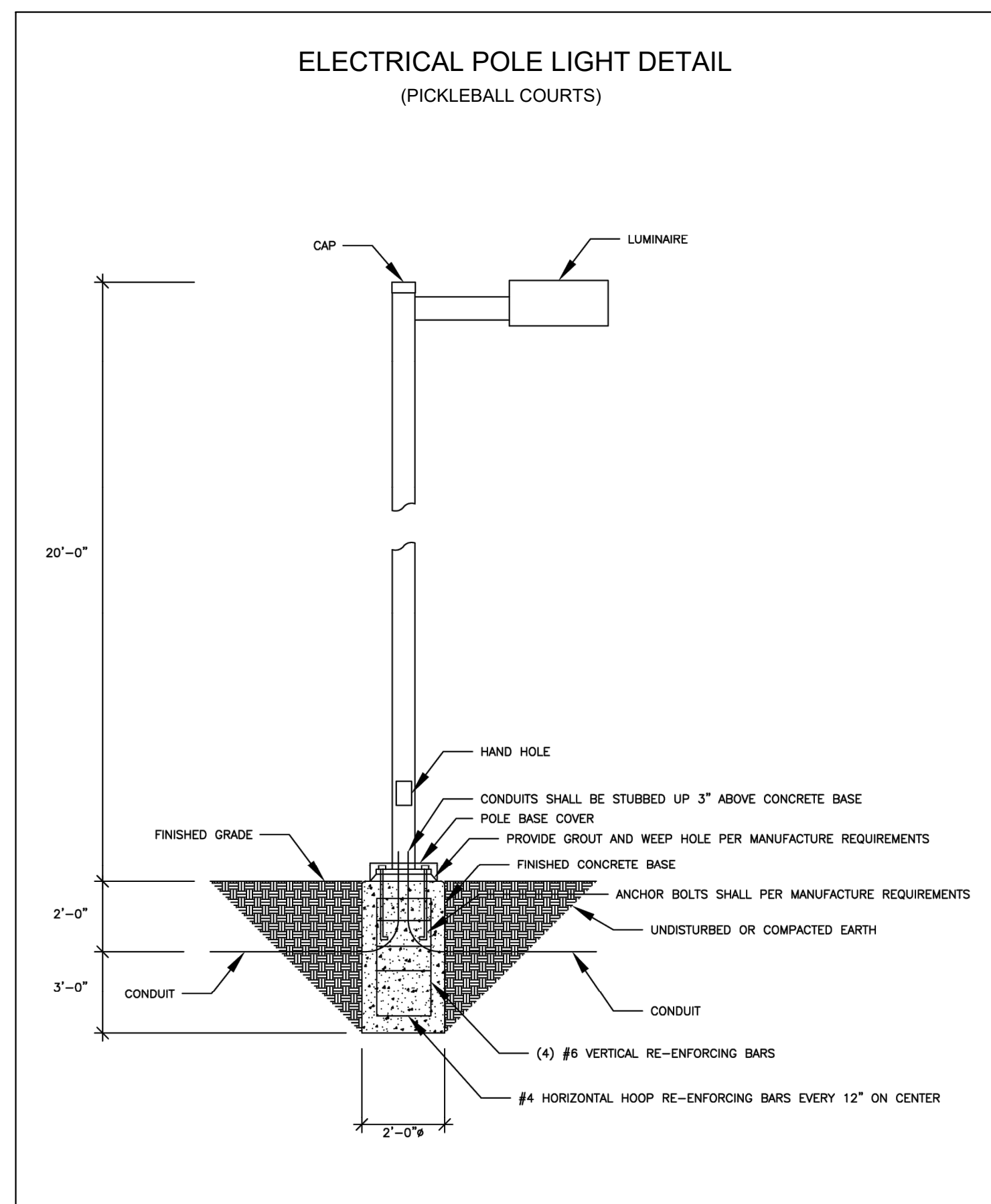
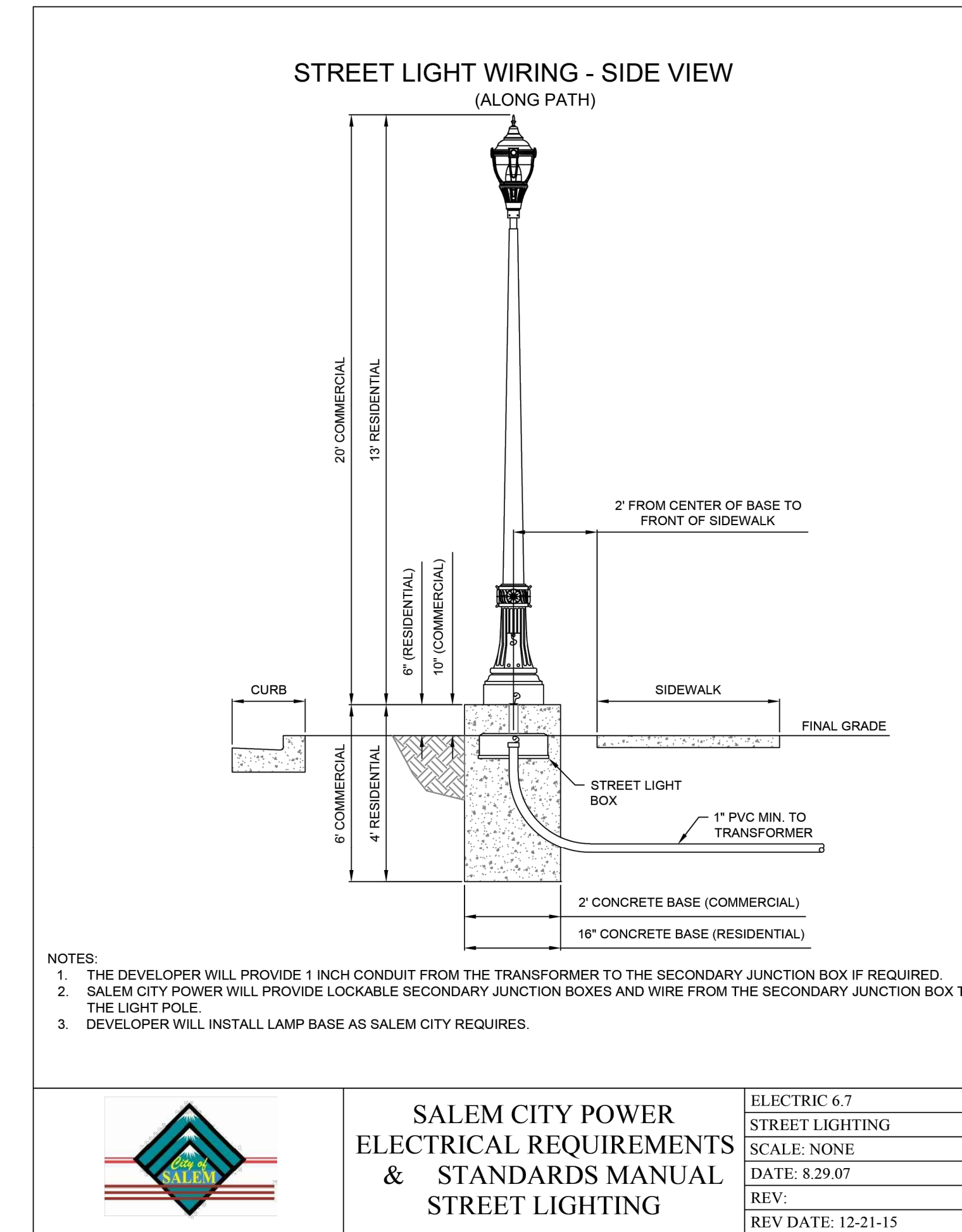
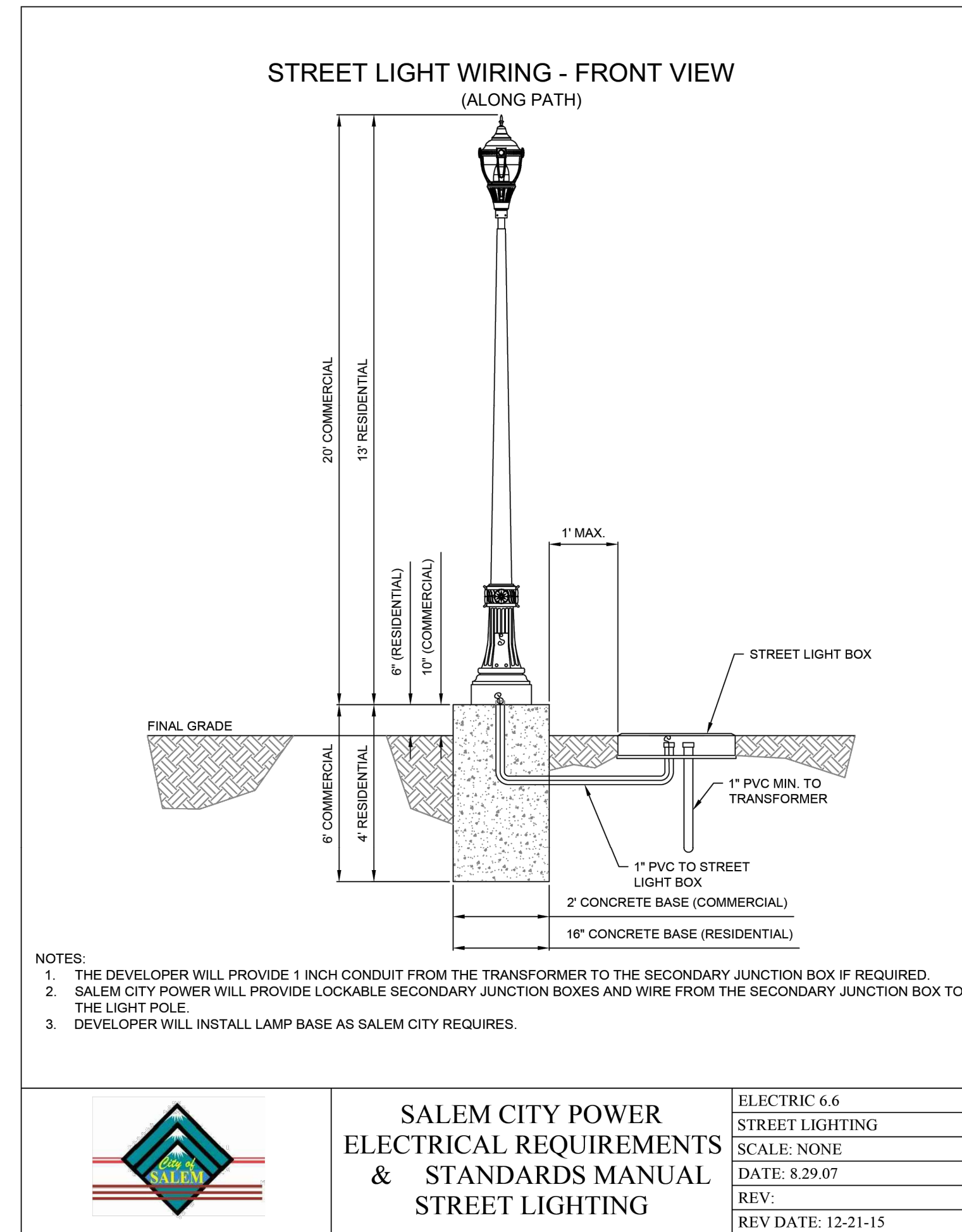
ELECTRICAL NOTE:

USE THIS LIGHT FIXTURE PLACEMENT IS A GUIDE.
ACTUAL ELECTRICAL PLANS TO BE FINALIZED BY OTHERS.



THIS DOCUMENT IS RELEASED FOR REVIEW ONLY. IT IS NOT INTENDED FOR CONSTRUCTION UNLESS SIGNED AND SEALED.
CARL N. BERG L.A.
SERIAL NO. 7162790
DATE: 10 JUN 2024

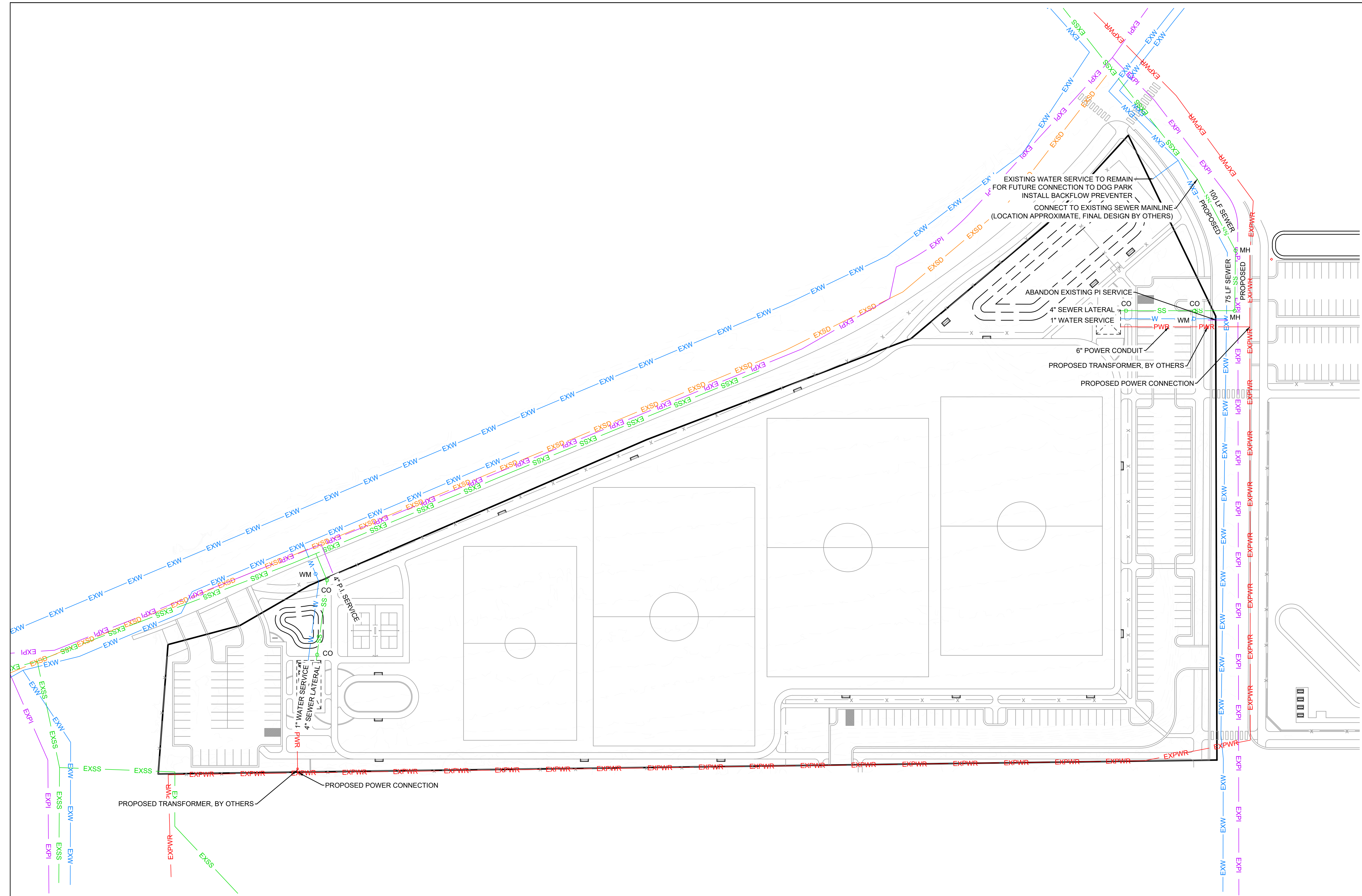
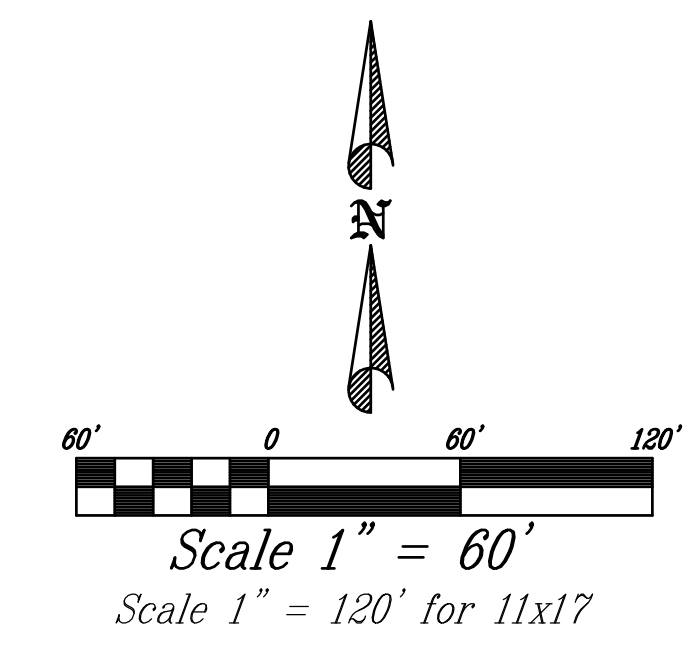
SALEM CITY LOAFER SOCCER PARK		
LIGHTING PLAN		
 380 E Main St, Suite 204 Midway, Ut 84049 ph. (801) 723-2000		
DESIGN BY: DAA	DATE: 10 JUN 2024	SHEET
DRAWN BY: CNB	REV:	L2



THIS DOCUMENT IS RELEASED FOR REVIEW ONLY. IT IS NOT INTENDED FOR CONSTRUCTION UNLESS SIGNED AND SEALED.

CARL N. BERG L.A.
SERIAL NO. 7162790
DATE: 10 JUN 2024

SALEM CITY LOAFER SOCCER PARK		
LIGHTING DETAILS		
380 E Main St, Suite 204 Midway, Ut 84049 ph. (801) 723-2000		
DESIGN BY: DAA	DATE: 10 JUN 2024	SHEET
DRAWN BY: CNB	REV:	L3



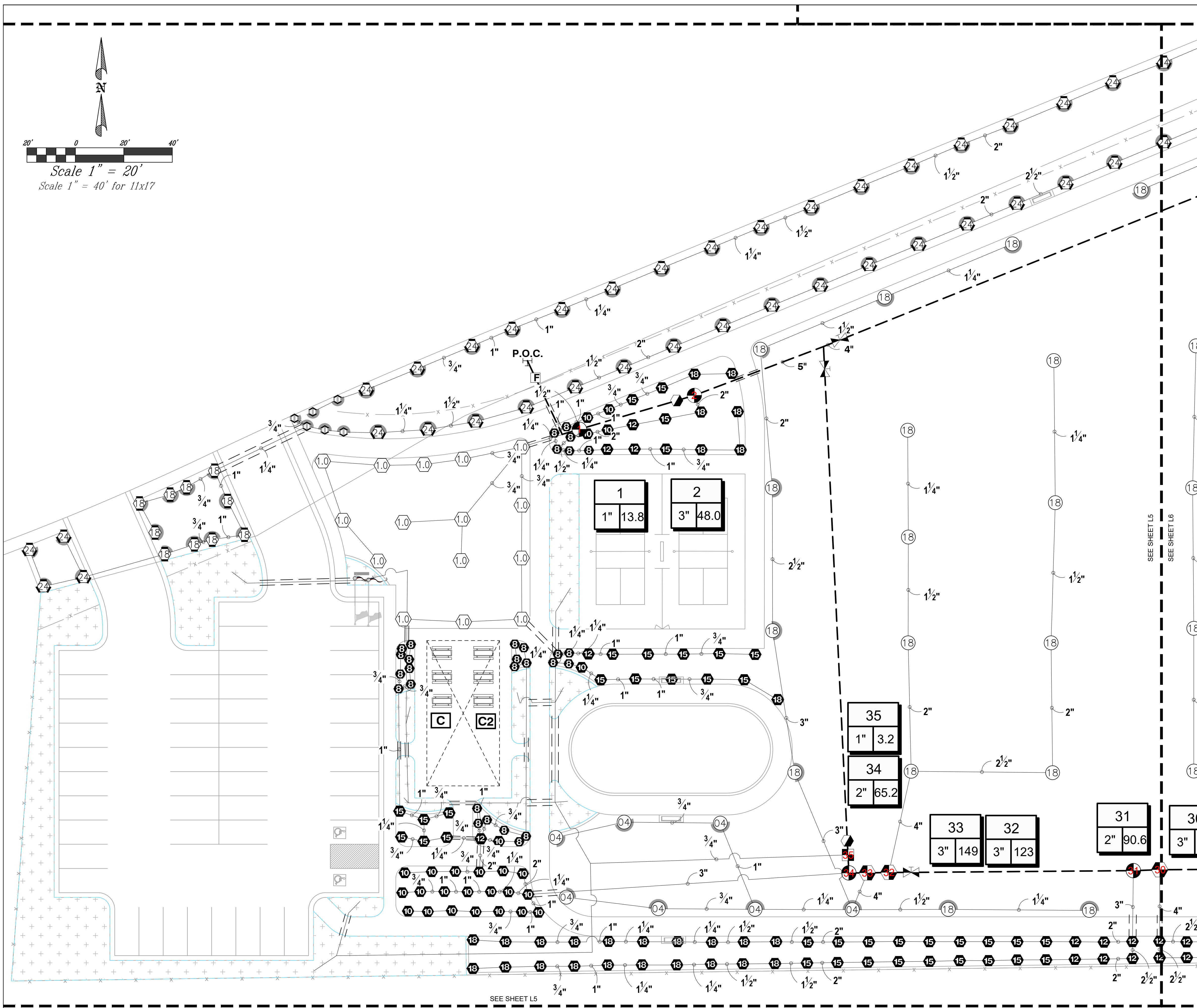
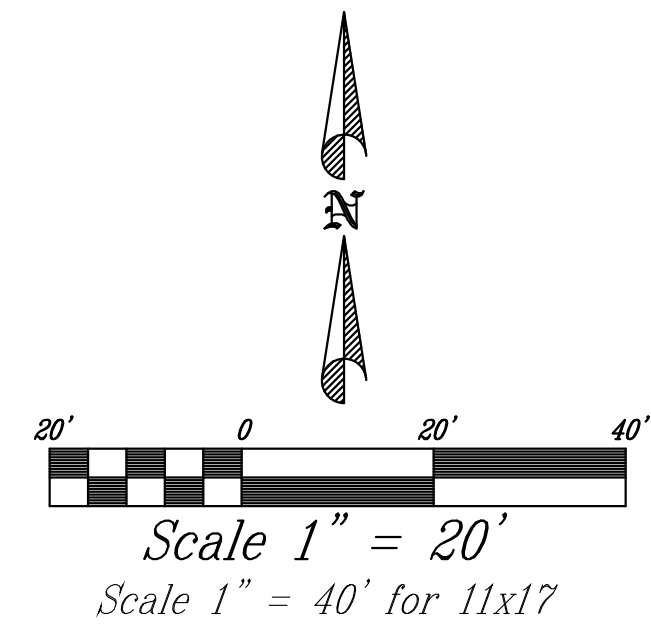
- LEGEND**
- EXW — EXISTING WATER
 - W — PROPOSED WATER
 - EXSS — EXISTING SEWER
 - SS — PROPOSED SEWER
 - EXP — EXISTING PRESSURIZED IRRIGATION
 - PI — PROPOSED PRESSURIZED IRRIGATION
 - EXPWR — EXISTING POWER
 - PWR — PROPOSED POWER
 - EXSD — EXISTING STORM DRAIN
 - MH — SEWER MANHOLE
 - CO — SEWER CLEANOUT

THIS DOCUMENT IS RELEASED FOR REVIEW ONLY. IT IS NOT INTENDED FOR CONSTRUCTION UNLESS SIGNED AND SEALED.

CARL N. BERG L.A.
 SERIAL NO. 7162790
 DATE: 10 JUN 2024

SALEM CITY LOAFER SOCCER PARK	
UTILITY PLAN	
 380 E Main St, Suite 204 Midway, Ut 84049 ph. (801) 723-2000	
DESIGN BY: DAA	DATE: 10 JUN 2024
DRAWN BY: CNB	REV: _____
SHEET L4	

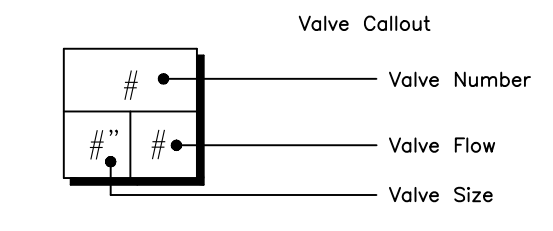
IRRIGATION SCHEDULE L5



SYMBOL	MANUFACTURER/MODEL
	RAIN BIRD 1804 ADJ
	RAIN BIRD R-VAN14 1812-SAM-P45
	RAIN BIRD R-VAN18 1812-SAM-P45
	RAIN BIRD R-VAN24 1812-SAM-P45
	RAIN BIRD 5006-PL-PC, FC-SAM-R-NP-SS-LA 1.0
	RAIN BIRD F4-PC, FC 04
	RAIN BIRD F4-PC, FC 18

SYMBOL	MANUFACTURER/MODEL
	RAIN BIRD LFV-100
	AREA TO RECEIVE DRIP EMITTERS RAIN BIRD XB-PC Emitter Notes: 0.5 GPH emitters (1 assigned to each 1 gal plant) 0.5 GPH emitters (1 assigned to each 1 GAL plant) 0.5 GPH emitters (3 assigned to each B&B, 1" Cal plant) 1.0 GPH emitters (2 assigned to each 5 gal plant) 1.0 GPH emitters (2 assigned to each 5 gal plant) 2.0 GPH emitters (3 assigned to each B & B, 8-10' plant) 2.0 GPH emitters (3 assigned to each B & B, 1" Cal plant) 2.0 GPH emitters (3 assigned to each B & B, 5-7' plant) 2.0 GPH emitters (3 assigned to each B&B, 2" Cal plant) 2.0 GPH emitters (3 assigned to each B&B, 1.5" Cal plant) 2.0 GPH emitters (3 assigned to each B&B, 8-10' plant) 2.0 GPH emitters (3 assigned to each B&B, 5-7' plant) 2.0 GPH emitters (3 assigned to each B&B, 6' plant)

SYMBOL	MANUFACTURER/MODEL
	RAIN BIRD 300-BPES ANGLE
	RAIN BIRD PESB
	RAIN BIRD 44-RC
	WATEROUS GATE VALVE
	RAIN BIRD ESP-LXD
	RAIN BIRD ESP-LXD
	AMIAD 2-OL-MSIG- STEEL SCREEN
	IRRIGATION LATERAL LINE: PVC SCHEDULE 40
	IRRIGATION MAINLINE: PVC SCHEDULE 40
	PIPE SLEEVE: PVC SCHEDULE 40



THIS DOCUMENT IS RELEASED FOR REVIEW ONLY. IT IS NOT INTENDED FOR CONSTRUCTION UNLESS SIGNED AND SEALED.

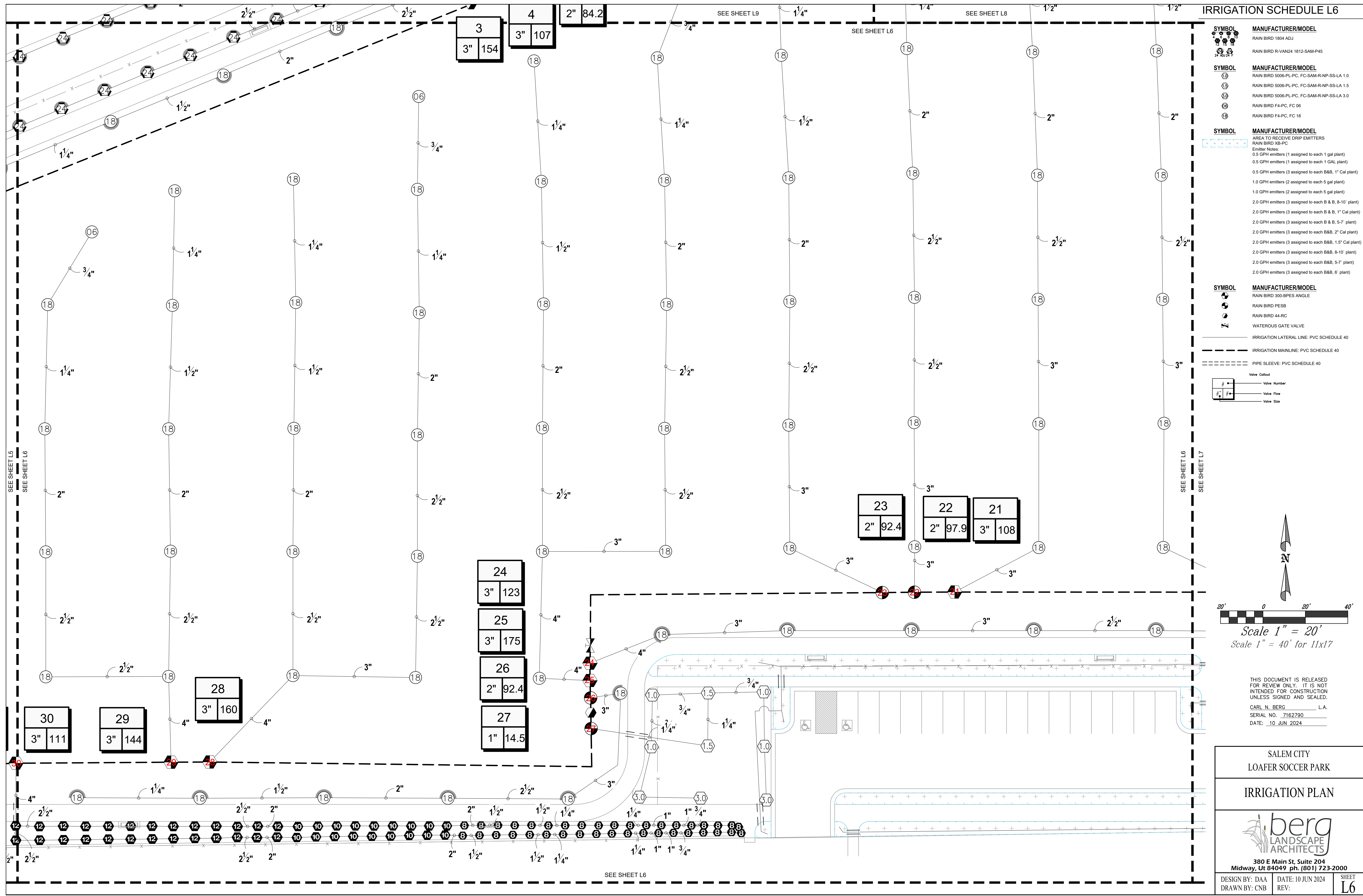
CARL N. BERG L.A.
SERIAL NO. 7162790
DATE: 10 JUN 2024

SALEM CITY
LOAFER SOCCER PARK

IRRIGATION PLAN

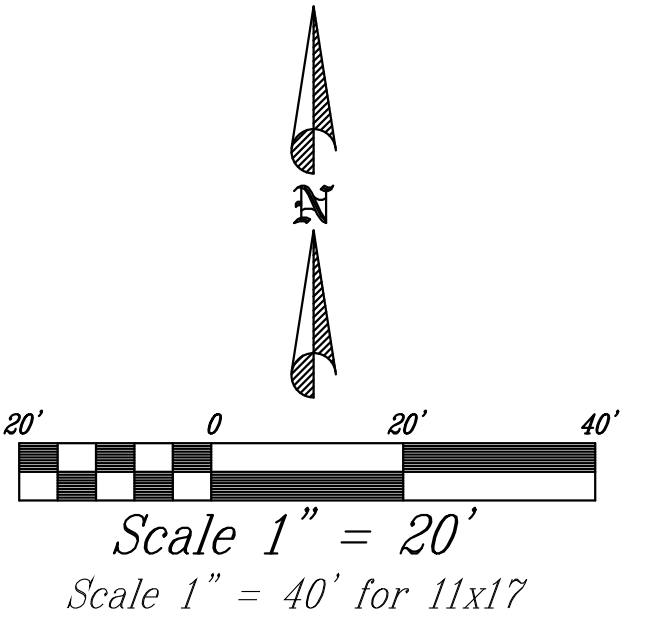
380 E Main St, Suite 204
Midway, Ut 84049 ph. (801) 723-2000

DESIGN BY: DAA DATE: 10 JUN 2024
DRAWN BY: CNB REV: SHEET L5



IRRIGATION SCHEDULE L6

SYMBOL	MANUFACTURER/MODEL
	RAIN BIRD 1804 ADJ
	RAIN BIRD R-VAN24 1812-SAM-P45
	RAIN BIRD 5006-PL-PC, FC-SAM-R-NP-SS-LA 1.0
	RAIN BIRD 5006-PL-PC, FC-SAM-R-NP-SS-LA 1.5
	RAIN BIRD 5006-PL-PC, FC-SAM-R-NP-SS-LA 3.0
	RAIN BIRD F4-PC, FC 06
	RAIN BIRD F4-PC, FC 18
	AREA TO RECEIVE DRIP EMITTERS
	RAIN BIRD XB-PC
Emitter Notes:	
	0.5 GPH emitters (1 assigned to each 1 gal plant)
	0.5 GPH emitters (1 assigned to each 1 GAL plant)
	0.5 GPH emitters (3 assigned to each B&B, 1\" Cal plant)
	1.0 GPH emitters (2 assigned to each 5 gal plant)
	1.0 GPH emitters (2 assigned to each 5 gal plant)
	2.0 GPH emitters (3 assigned to each B & B, 8-10' plant)
	2.0 GPH emitters (3 assigned to each B & B, 1\" Cal plant)
	2.0 GPH emitters (3 assigned to each B & B, 5-7' plant)
	2.0 GPH emitters (3 assigned to each B&B, 2\" Cal plant)
	2.0 GPH emitters (3 assigned to each B&B, 1.5\" Cal plant)
	2.0 GPH emitters (3 assigned to each B&B, 8-10' plant)
	2.0 GPH emitters (3 assigned to each B&B, 5-7' plant)
	2.0 GPH emitters (3 assigned to each B&B, 6' plant)
	RAIN BIRD 300-BPES ANGLE
	RAIN BIRD PESB
	RAIN BIRD 44-RC
	WATEROUS GATE VALVE
	IRRIGATION LATERAL LINE: PVC SCHEDULE 40
	IRRIGATION MAINLINE: PVC SCHEDULE 40
	PIPE SLEEVE: PVC SCHEDULE 40
	Valve Callout
	Valve Number
	Valve Flow
	Valve Size



THIS DOCUMENT IS RELEASED FOR REVIEW ONLY. IT IS NOT INTENDED FOR CONSTRUCTION UNLESS SIGNED AND SEALED.

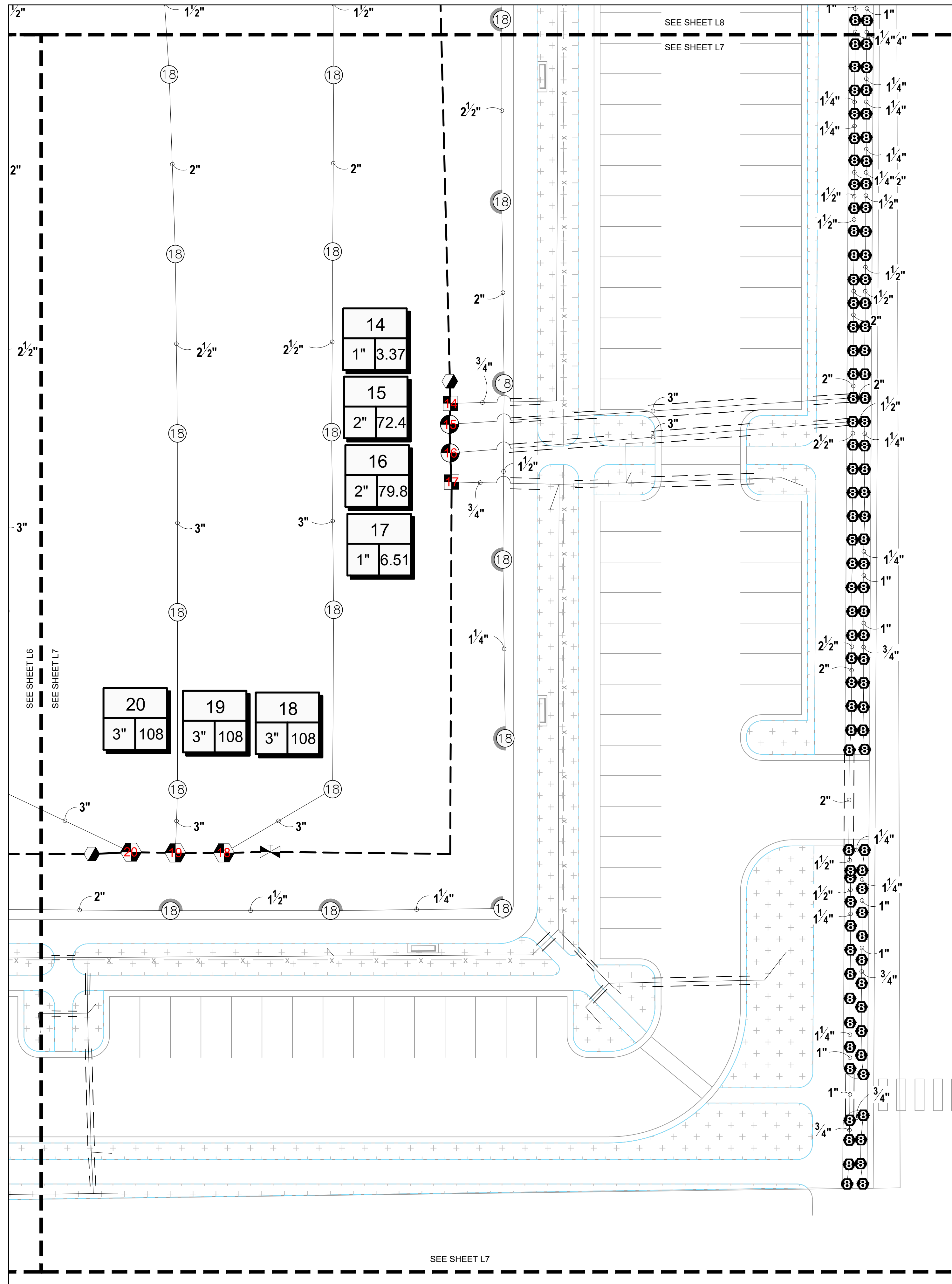
CARL N. BERG L.A.
 SERIAL NO. 7162790
 DATE: 10 JUN 2024

SALEM CITY
LOAFER SOCCER PARK

IRRIGATION PLAN

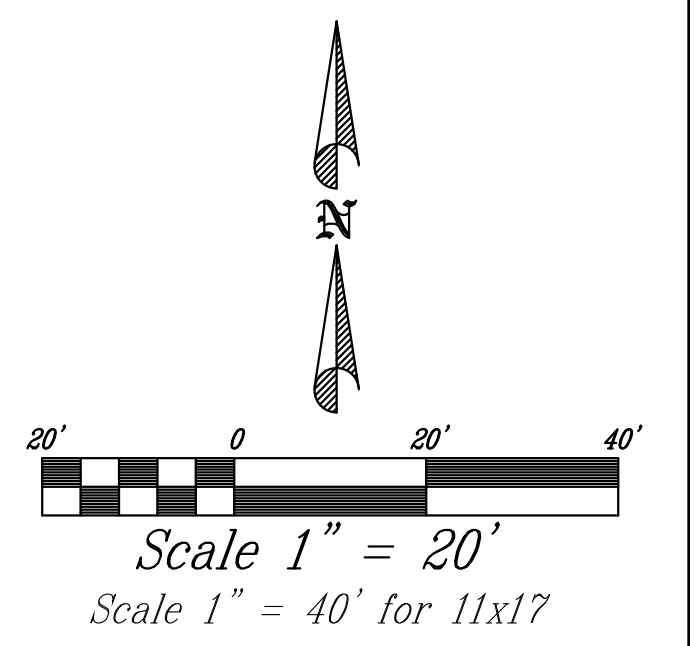
380 E Main St, Suite 204
Midway, Ut 84049 ph. (801) 723-2000

DESIGN BY: DAA	DATE: 10 JUN 2024	SHEET
DRAWN BY: CNB	REV:	L6



IRRIGATION SCHEDULE L7

- | | |
|---|--|
| SYMBOL | MANUFACTURER/MODEL |
| | RAIN BIRD 1804 ADJ |
| SYMBOL | MANUFACTURER/MODEL |
| | RAIN BIRD F4-PC, FC 18 |
| SYMBOL | MANUFACTURER/MODEL |
| | RAIN BIRD LFV-100 |
| | AREA TO RECEIVE DRIP EMITTERS |
| | RAIN BIRD XB-PC |
| Emitter Notes: | |
| 0.5 GPH emitters (1 assigned to each 1 gal plant) | |
| 0.5 GPH emitters (1 assigned to each 1 GAL plant) | |
| 0.5 GPH emitters (3 assigned to each B&B, 1" Cal plant) | |
| 1.0 GPH emitters (2 assigned to each 5 gal plant) | |
| 1.0 GPH emitters (2 assigned to each 5 gal plant) | |
| 2.0 GPH emitters (3 assigned to each B & B, 8-10" plant) | |
| 2.0 GPH emitters (3 assigned to each B & B, 1" Cal plant) | |
| 2.0 GPH emitters (3 assigned to each B & B, 5-7" plant) | |
| 2.0 GPH emitters (3 assigned to each B&B, 2" Cal plant) | |
| 2.0 GPH emitters (3 assigned to each B&B, 1.5" Cal plant) | |
| 2.0 GPH emitters (3 assigned to each B&B, 8-10" plant) | |
| 2.0 GPH emitters (3 assigned to each B&B, 5-7" plant) | |
| 2.0 GPH emitters (3 assigned to each B&B, 6" plant) | |
| SYMBOL | MANUFACTURER/MODEL |
| | RAIN BIRD 300-BPES ANGLE |
| | RAIN BIRD PESB |
| | RAIN BIRD 44-RC |
| | WATEROUS GATE VALVE |
| | IRRIGATION LATERAL LINE: PVC SCHEDULE 40 |
| | IRRIGATION MAINLINE: PVC SCHEDULE 40 |
| | PIPE SLEEVE: PVC SCHEDULE 40 |
| Valve Callout | |
| | Valve Number |
| | Valve Flow |
| | Valve Size |



THIS DOCUMENT IS RELEASED FOR REVIEW ONLY. IT IS NOT INTENDED FOR CONSTRUCTION UNLESS SIGNED AND SEALED.

CARL N. BERG L.A.
 SERIAL NO. 7162790
 DATE: 10 JUN 2024

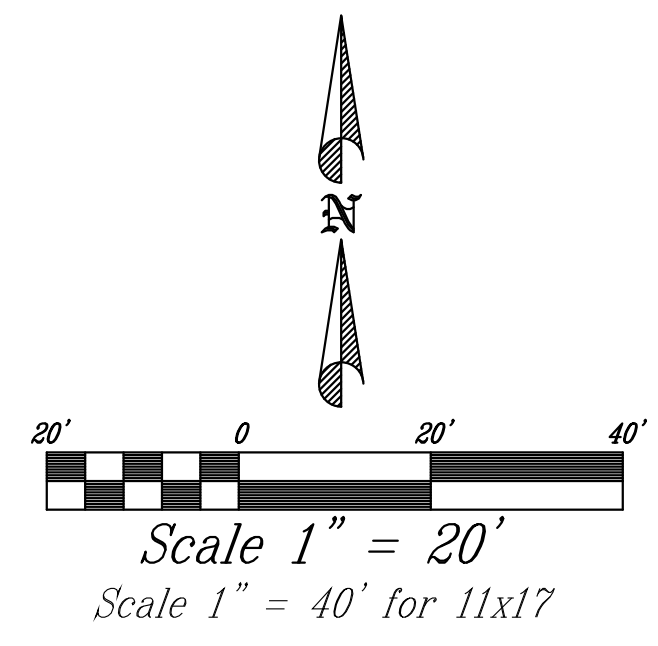
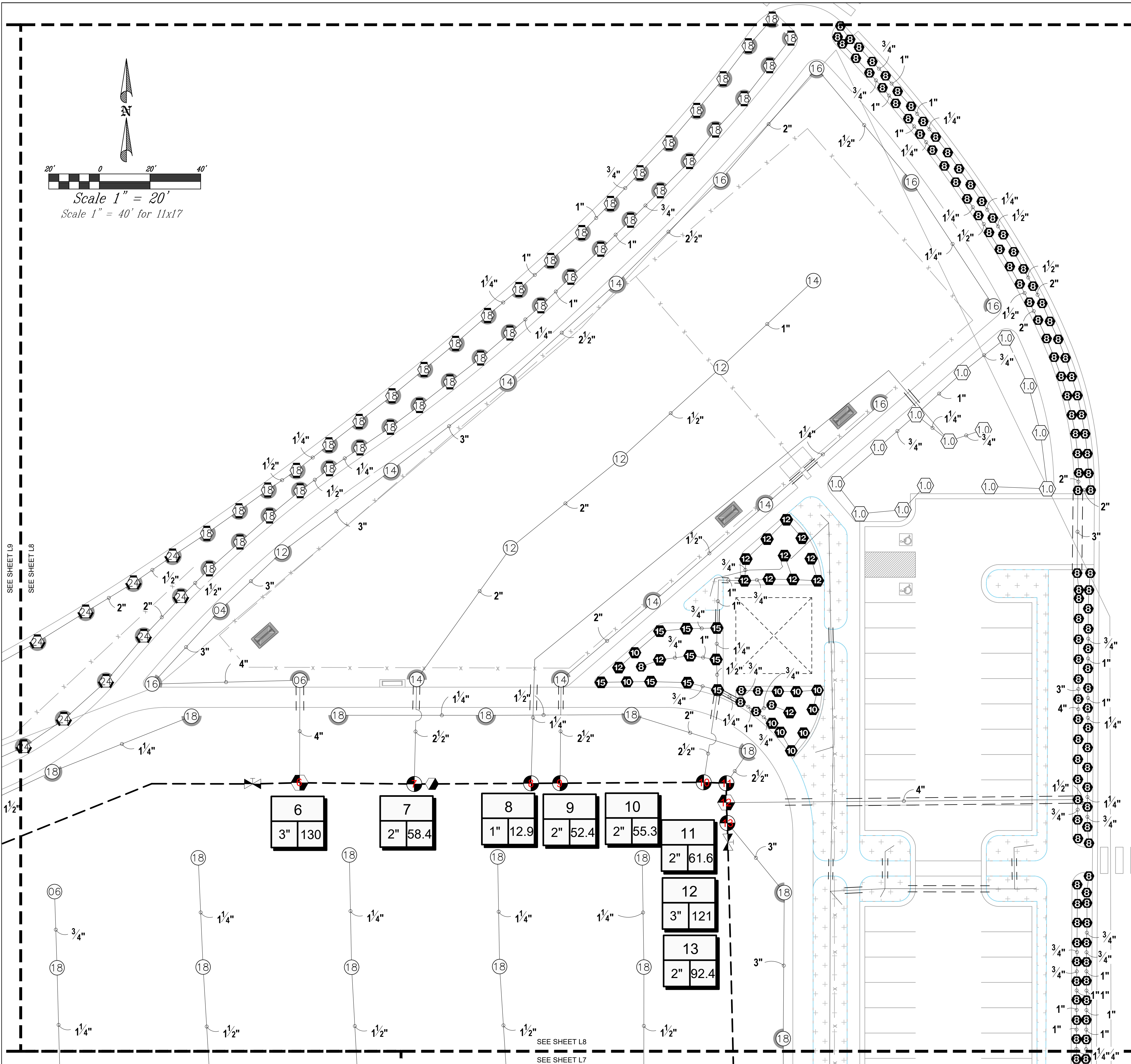
SALEM CITY LOAFER SOCCER PARK	
IRRIGATION PLAN	
 380 E Main St, Suite 204 Midway, Ut 84049 ph. (801) 723-2000	
DESIGN BY: DAA DRAWN BY: CNB	DATE: 10 JUN 2024 REV: L7

IRRIGATION SCHEDULE L8

SYMBOL	MANUFACTURER/MODEL
	RAIN BIRD 1804 ADJ
	RAIN BIRD R-VAN18 1812-SAM-P45
	RAIN BIRD R-VAN24 1812-SAM-P45
SYMBOL	MANUFACTURER/MODEL
	RAIN BIRD 5006-PL-PC, FC-SAM-R-NP-SS-LA 1.0
	RAIN BIRD F4-PC, FC 04
	RAIN BIRD F4-PC, FC 06
	RAIN BIRD F4-PC, FC 12
	RAIN BIRD F4-PC, FC 14
	RAIN BIRD F4-PC, FC 16
	RAIN BIRD F4-PC, FC 18

SYMBOL	MANUFACTURER/MODEL
	AREA TO RECEIVE DRIP EMITTERS RAIN BIRD XB-PC
Emitter Notes:	
	0.5 GPH emitters (1 assigned to each 1 gal plant)
	0.5 GPH emitters (1 assigned to each 1 GAL plant)
	0.5 GPH emitters (3 assigned to each B&B, 1" Cal plant)
	1.0 GPH emitters (2 assigned to each 5 gal plant)
	1.0 GPH emitters (2 assigned to each 5 gal plant)
	2.0 GPH emitters (3 assigned to each B & B, 8-10' plant)
	2.0 GPH emitters (3 assigned to each B & B, 1" Cal plant)
	2.0 GPH emitters (3 assigned to each B & B, 5-7' plant)
	2.0 GPH emitters (3 assigned to each B&B, 2" Cal plant)
	2.0 GPH emitters (3 assigned to each B&B, 1.5" Cal plant)
	2.0 GPH emitters (3 assigned to each B&B, 8-10' plant)
	2.0 GPH emitters (3 assigned to each B&B, 5-7' plant)
	2.0 GPH emitters (3 assigned to each B&B, 6' plant)

SYMBOL	MANUFACTURER/MODEL
	RAIN BIRD 300-BPES ANGLE
	RAIN BIRD PESB
	RAIN BIRD 44-RC
	WATEROUS GATE VALVE
	IRRIGATION LATERAL LINE: PVC SCHEDULE 40
	IRRIGATION MAINLINE: PVC SCHEDULE 40
	PIPE SLEEVE: PVC SCHEDULE 40
Valve Callout	
	Valve Number
	Valve Flow
	Valve Size



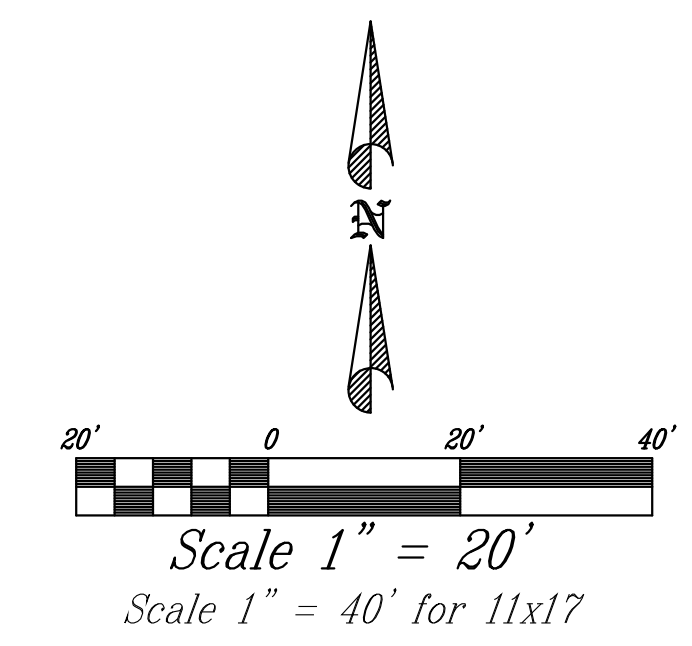
THIS DOCUMENT IS RELEASED FOR REVIEW ONLY. IT IS NOT INTENDED FOR CONSTRUCTION UNLESS SIGNED AND SEALED.
 CARL N. BERG L.A.
 SERIAL NO. 7162790
 DATE: 10 JUN 2024

SALEM CITY
LOAFER SOCCER PARK

IRRIGATION PLAN

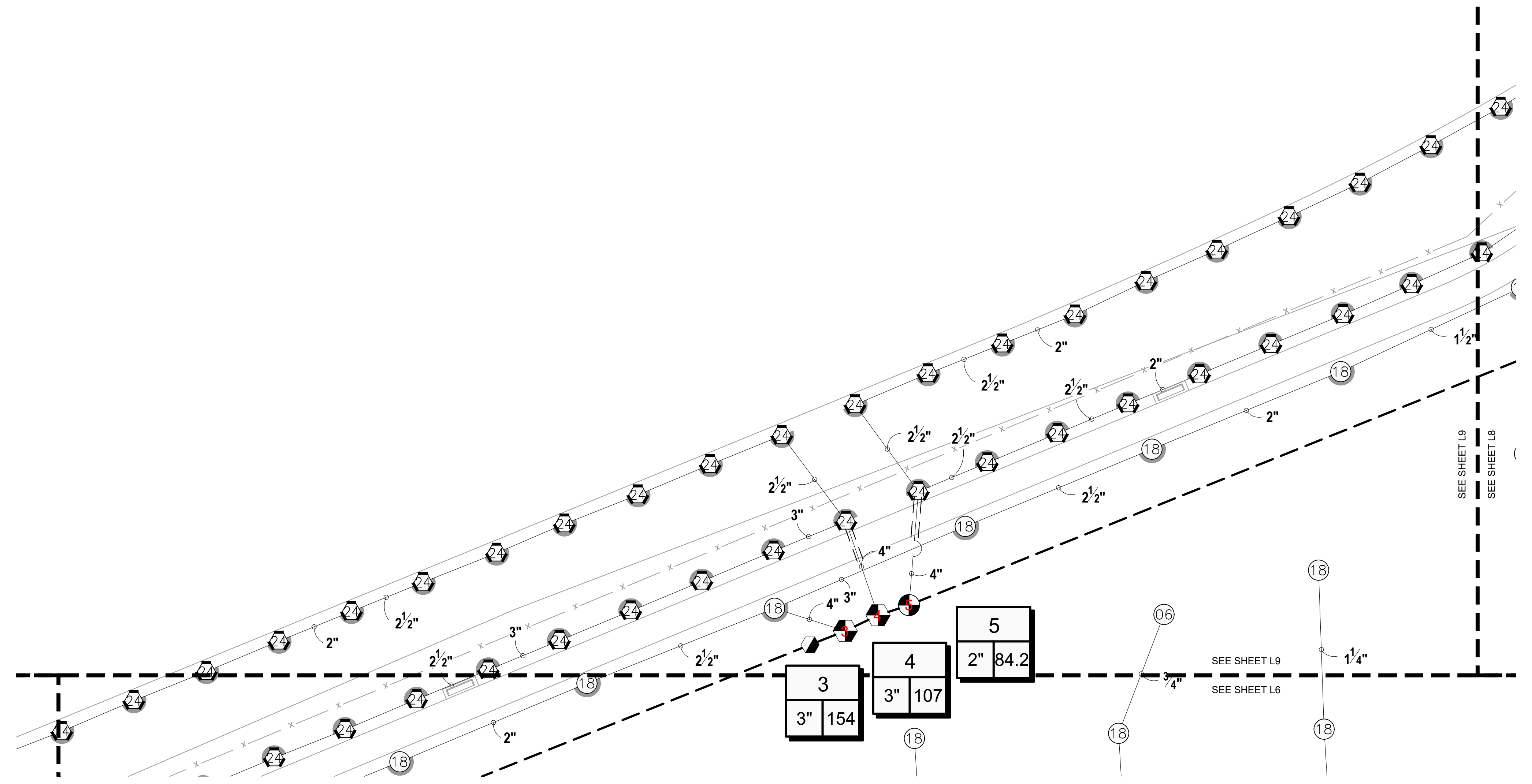
380 E Main St, Suite 204
Midway, Ut 84049 ph. (801) 723-2000

DESIGN BY: DAA DATE: 10 JUN 2024
 DRAWN BY: CNB REV: SHEET L8



IRRIGATION SCHEDULE L9

SYMBOL	MANUFACTURER/MODEL
	RAIN BIRD R-VAN24 1812-SAM-P45
SYMBOL	MANUFACTURER/MODEL
	RAIN BIRD F4-PC, FC 06
	RAIN BIRD F4-PC, FC 18
SYMBOL	MANUFACTURER/MODEL
	RAIN BIRD 300-BPES ANGLE
	RAIN BIRD PESB
	RAIN BIRD 44-RC
	IRRIGATION LATERAL LINE: PVC SCHEDULE 40
	IRRIGATION MAINLINE: PVC SCHEDULE 40
	PIPE SLEEVE: PVC SCHEDULE 40
Valve Callout	
	Valve Number
	Valve Flow
	Valve Size



THIS DOCUMENT IS RELEASED FOR REVIEW ONLY. IT IS NOT INTENDED FOR CONSTRUCTION UNLESS SIGNED AND SEALED.

CARL N. BERG L.A.
 SERIAL NO. 7162790
 DATE: 10 JUN 2024

SALEM CITY LOAFER SOCCER PARK	
IRRIGATION PLAN	
 berg LANDSCAPE ARCHITECTS 380 E Main St, Suite 204 Midway, Ut 84049 ph. (801) 723-2000	
DESIGN BY: DAA	DATE: 10 JUN 2024
DRAWN BY: CNB	REV:
SHEET L9	

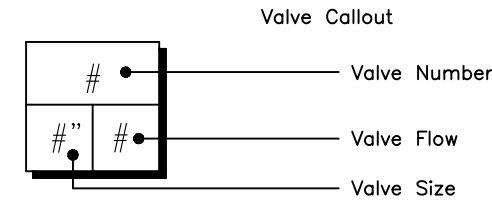
IRRIGATION SCHEDULE

SYMBOL	MANUFACTURER/MODEL/DESCRIPTION	QTY	PSI
	RAIN BIRD 1804 ADJ TURF SPRAY 4.0" POP-UP SPRINKLER WITH CO-MOLDED WIPER SEAL, 1/2" NPT FEMALE THREADED INLET.	449	30
	RAIN BIRD R-VAN14 1812-SAM-P45 SHRUB ROTARY, 8FT.-14FT. 45-270 DEGREES AND 360 DEGREES. HAND ADJUSTABLE MULTI-STREAM ROTARY W/1800 SHRUB SPRAY BODY ON 12IN. POP-UP, WITH CHECK VALVE AND 45 PSI IN-STEM PRESSURE REGULATOR. 1/2IN. NPT FEMALE THREADED INLET.	6	45
	RAIN BIRD R-VAN18 1812-SAM-P45 SHRUB ROTARY, 13FT.-18FT. 45-270 DEGREES AND 360 DEGREES. HAND ADJUSTABLE MULTI-STREAM ROTARY W/1800 SHRUB SPRAY BODY ON 12IN. POP-UP, WITH CHECK VALVE AND 45 PSI IN-STEM PRESSURE REGULATOR. 1/2IN. NPT FEMALE THREADED INLET.	51	45
	RAIN BIRD R-VAN24 1812-SAM-P45 SHRUB ROTARY, 17FT.-24FT. 45-270 DEGREES AND 360 DEGREES. HAND ADJUSTABLE MULTI-STREAM ROTARY W/1800 SHRUB SPRAY BODY ON 12IN. POP-UP, WITH CHECK VALVE AND 45 PSI IN-STEM PRESSURE REGULATOR. 1/2IN. NPT FEMALE THREADED INLET.	85	45

SYMBOL	MANUFACTURER/MODEL/DESCRIPTION	QTY	PSI	GPM	RADIUS
	RAIN BIRD 5006-PL-PC, FC-SAM-R-NP-SS-LA 1.0 TURF ROTOR, 6" POP-UP, STAINLESS STEEL RISER, ADJUSTABLE AND FULL CIRCLE. WITH LOW ANGLE NOZZLE, IN-STEM PRESSURE REGULATOR, FLOW SHUT-OFF DEVICE, SEAL-A-MATIC CHECK VALVE, AND NON-POTABLE PURPLE CAP.	33	35	0.92	28'
	RAIN BIRD 5006-PL-PC, FC-SAM-R-NP-SS-LA 1.5 TURF ROTOR, 6" POP-UP, STAINLESS STEEL RISER, ADJUSTABLE AND FULL CIRCLE. WITH LOW ANGLE NOZZLE, IN-STEM PRESSURE REGULATOR, FLOW SHUT-OFF DEVICE, SEAL-A-MATIC CHECK VALVE, AND NON-POTABLE PURPLE CAP.	2	35	1.38	30'
	RAIN BIRD 5006-PL-PC, FC-SAM-R-NP-SS-LA 3.0 TURF ROTOR, 6" POP-UP, STAINLESS STEEL RISER, ADJUSTABLE AND FULL CIRCLE. WITH LOW ANGLE NOZZLE, IN-STEM PRESSURE REGULATOR, FLOW SHUT-OFF DEVICE, SEAL-A-MATIC CHECK VALVE, AND NON-POTABLE PURPLE CAP.	3	35	2.68	33'
	RAIN BIRD F4-PC, FC 04 TURF ROTOR, 4.0" POP-UP, PLASTIC RISER, ADJUSTABLE AND FULL CIRCLE. WITH REMOVABLE SEAL-A-MATIC CHECK VALVE, 1" FEMALE THREADED INLET.	8	50	3.7	41'
	RAIN BIRD F4-PC, FC 06 TURF ROTOR, 4.0" POP-UP, PLASTIC RISER, ADJUSTABLE AND FULL CIRCLE. WITH REMOVABLE SEAL-A-MATIC CHECK VALVE, 1" FEMALE THREADED INLET.	5	50	5.5	49'
	RAIN BIRD F4-PC, FC 12 TURF ROTOR, 4.0" POP-UP, PLASTIC RISER, ADJUSTABLE AND FULL CIRCLE. WITH REMOVABLE SEAL-A-MATIC CHECK VALVE, 1" FEMALE THREADED INLET.	4	50	11	55'
	RAIN BIRD F4-PC, FC 14 TURF ROTOR, 4.0" POP-UP, PLASTIC RISER, ADJUSTABLE AND FULL CIRCLE. WITH REMOVABLE SEAL-A-MATIC CHECK VALVE, 1" FEMALE THREADED INLET.	8	50	12.7	59'
	RAIN BIRD F4-PC, FC 16 TURF ROTOR, 4.0" POP-UP, PLASTIC RISER, ADJUSTABLE AND FULL CIRCLE. WITH REMOVABLE SEAL-A-MATIC CHECK VALVE, 1" FEMALE THREADED INLET.	6	50	14.3	61'
	RAIN BIRD F4-PC, FC 18 TURF ROTOR, 4.0" POP-UP, PLASTIC RISER, ADJUSTABLE AND FULL CIRCLE. WITH REMOVABLE SEAL-A-MATIC CHECK VALVE, 1" FEMALE THREADED INLET.	120	50	15.4	59'

SYMBOL	MANUFACTURER/MODEL/DESCRIPTION	QTY
	RAIN BIRD LFV-100 1" 1" LOW FLOW DV VALVE	3
	AREA TO RECEIVE DRIP EMITTERS RAIN BIRD XB-PC SINGLE OUTLET, PRESSURE COMPENSATING DRIP EMITTERS. FLOW RATES OF 0.5GPH-BLUE, 1.0GPH-BLACK, AND 2.0GPH-RED. COMES WITH A SELF-PIERCING BARB INLET X BARB OUTLET. Emitter Notes: 0.5 GPH emitters (1 assigned to each 1 gal plant) 0.5 GPH emitters (1 assigned to each 1 GAL plant) 0.5 GPH emitters (3 assigned to each B&B, 1" Cal plant) 1.0 GPH emitters (2 assigned to each 5 gal plant) 1.0 GPH emitters (2 assigned to each 5 gal plant) 2.0 GPH emitters (3 assigned to each B & B, 8-10' plant) 2.0 GPH emitters (3 assigned to each B & B, 1" Cal plant) 2.0 GPH emitters (3 assigned to each B & B, 5-7' plant) 2.0 GPH emitters (3 assigned to each B&B, 2" Cal plant) 2.0 GPH emitters (3 assigned to each B&B, 1.5" Cal plant) 2.0 GPH emitters (3 assigned to each B&B, 8-10' plant) 2.0 GPH emitters (3 assigned to each B&B, 5-7' plant) 2.0 GPH emitters (3 assigned to each B&B, 6' plant)	30,063 S.F.

SYMBOL	MANUFACTURER/MODEL/DESCRIPTION	QTY
	RAIN BIRD 300-BPES ANGLE 3" 3IN. BRASS ELECTRIC REMOTE CONTROL VALVE, WITH ANGLE CONFIGURATION. WITH A PATENTED NYLON SCRUBBER THAT SCRAPES A STAINLESS STEEL SCREEN TO PREVENT DEBRIS BUILD-UP AND CLOGGING.	15
	RAIN BIRD PESB 1" 1IN., 1-1/2IN., 2IN., 3IN., 3IN. PLASTIC INDUSTRIAL REMOTE CONTROL VALVE. LOW FLOW OPERATING CAPABILITY, GLOBE CONFIGURATION. WITH SCRUBBER TECHNOLOGY FOR RELIABLE PERFORMANCE IN DIRTY WATER IRRIGATION APPLICATIONS.	3
	RAIN BIRD PESB 2" 1IN., 1-1/2IN., 2IN., 3IN., 3IN. PLASTIC INDUSTRIAL REMOTE CONTROL VALVE. LOW FLOW OPERATING CAPABILITY, GLOBE CONFIGURATION. WITH SCRUBBER TECHNOLOGY FOR RELIABLE PERFORMANCE IN DIRTY WATER IRRIGATION APPLICATIONS.	13
	RAIN BIRD PESB 3" 1IN., 1-1/2IN., 2IN., 3IN., 3IN. PLASTIC INDUSTRIAL REMOTE CONTROL VALVE. LOW FLOW OPERATING CAPABILITY, GLOBE CONFIGURATION. WITH SCRUBBER TECHNOLOGY FOR RELIABLE PERFORMANCE IN DIRTY WATER IRRIGATION APPLICATIONS.	1
	RAIN BIRD 44-RC 1" 1" BRASS QUICK-COUPLING VALVE, WITH CORROSION-RESISTANT STAINLESS STEEL SPRING, THERMOPLASTIC RUBBER COVER, AND 2-PIECE BODY.	7
	WATEROUS GATE VALVE 4" CAST IRON GATE VALVE, SAME SIZE AS MAINLINE PIPE WHERE LOCATED.	7
	RAIN BIRD ESP-LXD TWO-WIRE DECODER COMMERCIAL CONTROLLER. 50 STATIONS. UV-RESISTANT, OUTDOOR-RATED, PLASTIC LOCKING WALL-MOUNTABLE CASE. AVAILABLE IN THE US MARKET, INTERNATIONAL, EUROPEAN, OR AUSTRALIAN MARKETS.	1
	RAIN BIRD ESP-LXD TWO-WIRE DECODER COMMERCIAL CONTROLLER. 50 STATIONS. UV-RESISTANT, OUTDOOR-RATED, PLASTIC LOCKING WALL-MOUNTABLE CASE. AVAILABLE IN THE US MARKET, INTERNATIONAL, EUROPEAN, OR AUSTRALIAN MARKETS.	1
	AMIAD 4-OL-MSIG-STEEL SCREEN 200MM AMIAD 4" MINI SIGMA, ON-LINE SELF-CLEANING FILTER, FLANGE AND GROOVE COUPLING. STAINLESS STEEL WEAVER SCREEN ELEMENT. ADI-P BLUETOOTH RANGE CONTROLLER. MAXIMUM WORKING PRESSURE 116PSI.	1
	IRRIGATION LATERAL LINE: PVC SCHEDULE 40 3/4"	5,262 L.F.
	IRRIGATION LATERAL LINE: PVC SCHEDULE 40 1"	854.3 L.F.
	IRRIGATION LATERAL LINE: PVC SCHEDULE 40 1 1/4"	2,779 L.F.
	IRRIGATION LATERAL LINE: PVC SCHEDULE 40 1 1/2"	1,827 L.F.
	IRRIGATION LATERAL LINE: PVC SCHEDULE 40 2"	3,070 L.F.
	IRRIGATION LATERAL LINE: PVC SCHEDULE 40 2 1/2"	2,428 L.F.
	IRRIGATION LATERAL LINE: PVC SCHEDULE 40 3"	2,254 L.F.
	IRRIGATION LATERAL LINE: PVC SCHEDULE 40 4"	660.4 L.F.
	IRRIGATION MAINLINE: PVC SCHEDULE 40 4"	2,359 L.F.
	IRRIGATION MAINLINE: PVC SCHEDULE 40 5"	147.5 L.F.
	PIPE SLEEVE: PVC SCHEDULE 40 TYPICAL PIPE SLEEVE FOR IRRIGATION PIPE. PIPE SLEEVE SIZE SHALL ALLOW FOR IRRIGATION PIPING AND THEIR RELATED COUPLINGS TO EASILY SLIDE THROUGH SLEEVING MATERIAL. EXTEND SLEEVES 18 INCHES BEYOND EDGES OF PAVING OR CONSTRUCTION.	974.6 L.F.



CRITICAL ANALYSIS

Generated: 2024-05-30 15:32

P.O.C. NUMBER: 01
Water Source Information:

FLOW AVAILABLE
Point of Connection Size: 4"
Flow Available: 300.92 GPM

PRESSURE AVAILABLE
Static Pressure at POC: 70 PSI
Pressure Available: 70 PSI

DESIGN ANALYSIS
Maximum Multi-valve Flow: 300.92 GPM
Flow Available at POC: 300.92 GPM
Residual Flow Available: 0 GPM

Design Pressure: 50 PSI
Friction Loss: 5.09 PSI
Fittings Loss: 0.51 PSI
Elevation Loss: 0 PSI
Loss through Valve: 6.8 PSI
Pressure Req. at Critical Station: 62.4 PSI
Loss for Fittings: 0 PSI
Loss for Main Line: 7.09 PSI
Loss for POC to Valve Elevation: 0 PSI
Loss for Backflow: 0 PSI
Critical Station Pressure at POC: 69.5 PSI
Pressure Available: 70 PSI
Residual Pressure Available: 0.52 PSI

THIS DOCUMENT IS RELEASED FOR REVIEW ONLY. IT IS NOT INTENDED FOR CONSTRUCTION UNLESS SIGNED AND SEALED.

CARL N. BERG L.A.
SERIAL NO. 7162790
DATE: 10 JUN 2024

SALEM CITY
LOAFER SOCCER PARK

IRRIGATION SCHEDULE

380 E Main St, Suite 204
Midway, Ut 84049 ph. (801) 723-2000

DESIGN BY: DAA
DRAWN BY: CNB

DATE: 10 JUN 2024
REV:

SHEET
L10