

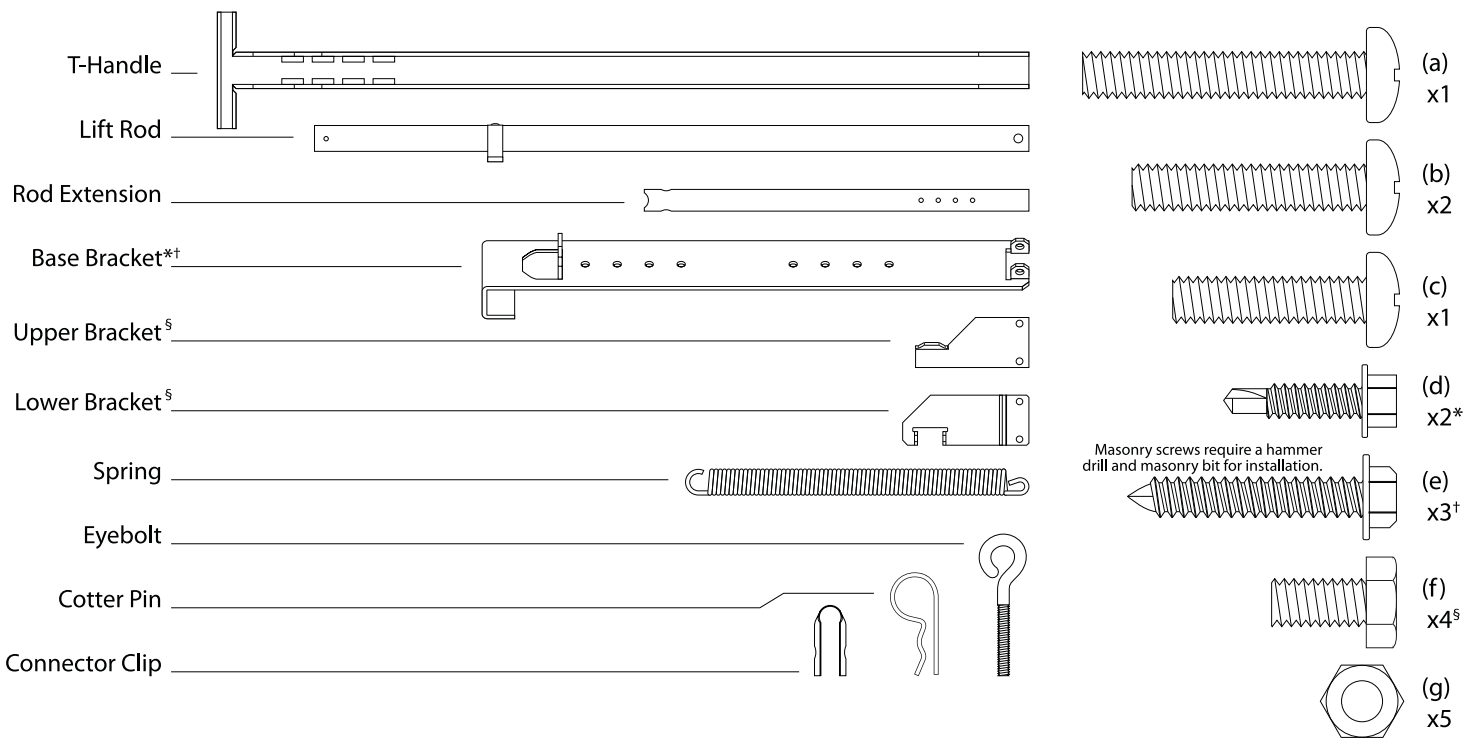
GRATELIFT™

Makes heavy grates easy to lift, even for small children

NOTICE!

This manual covers assembly and installation instructions for all three GrateLift models: GL001 (for metal window wells), GL002 (for concrete window wells), GL003 (integrates with Well Escape Ladder System™). Some instructions are specific to individual models. Please check your packaging to verify the model number that you have before you begin.

INCLUDED PARTS



*Included with model GL001

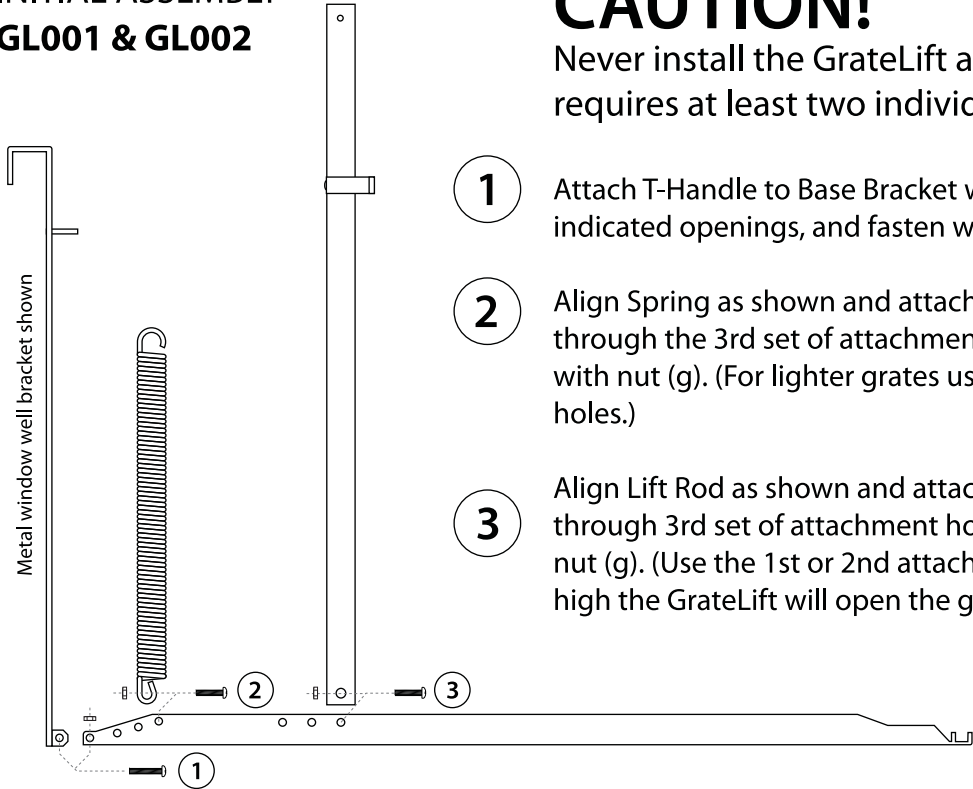
†Included with model GL002

§Included with model GL003

ATTENTION

At Safer Home, your safety is our primary concern. Please read and follow all safety guides and instructions. Failure to do so may result in faulty assembly, improper installation and possible injury!

**INITIAL ASSEMBLY
GL001 & GL002**



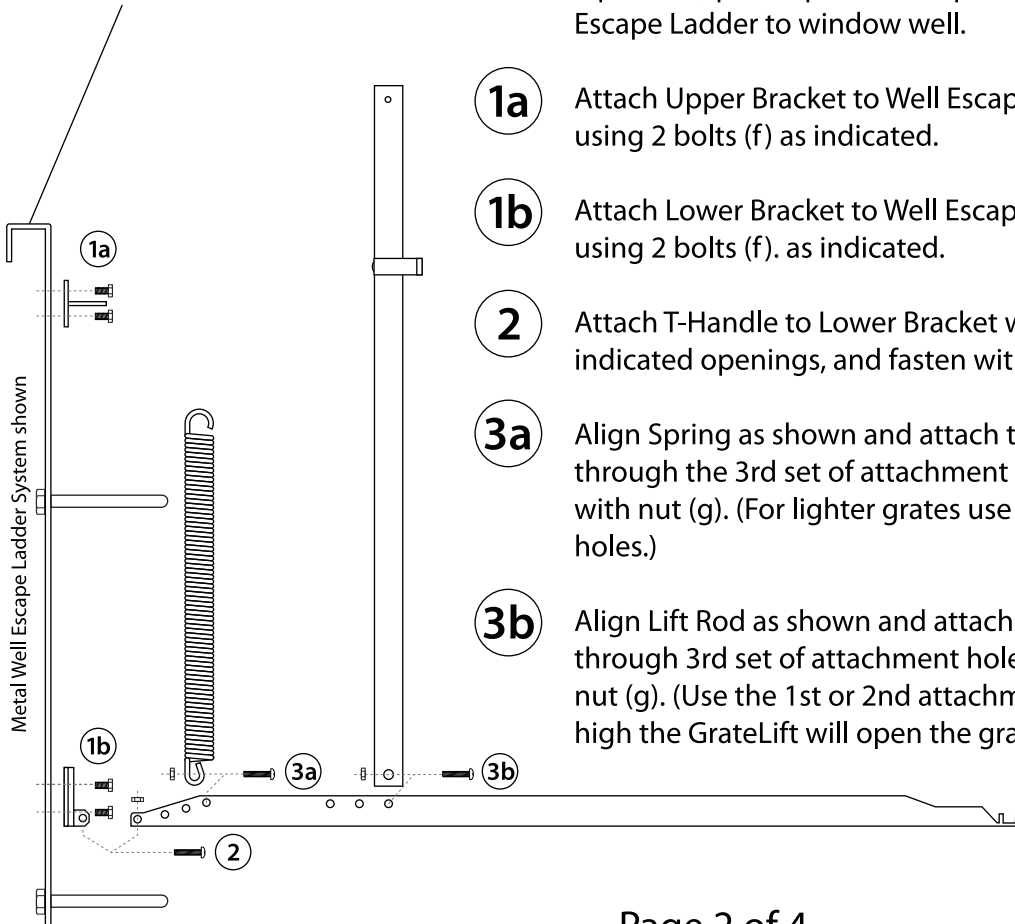
CAUTION!

Never install the GrateLift alone. Safe installation requires at least two individuals.

- 1 Attach T-Handle to Base Bracket with screw (a) through indicated openings, and fasten with nut (g).
- 2 Align Spring as shown and attach to T-Handle with screw (b) through the 3rd set of attachment holes, as indicated. Fasten with nut (g). (For lighter grates use 1st or 2nd attachment holes.)
- 3 Align Lift Rod as shown and attach to T-Handle with screw (b) through 3rd set of attachment holes, as indicated. Fasten with nut (g). (Use the 1st or 2nd attachment holes to reduce how high the GrateLift will open the grate, if necessary.)

**INITIAL ASSEMBLY
GL003**

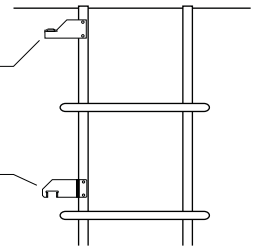
This GrateLift works only with the Well Escape Ladder System™. Well Escape Ladder LD036 shown.



CAUTION!

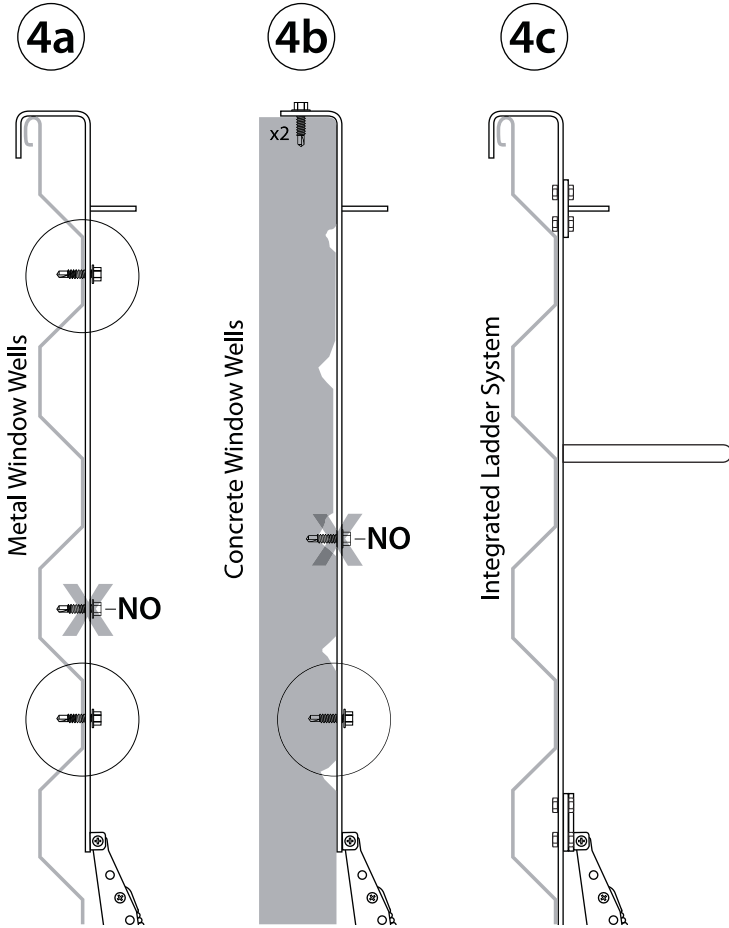
Never install the GrateLift alone. Safe installation requires at least two individuals.

If possible, please perform steps 1a & 1b before attaching Well Escape Ladder to window well.



- 1a Attach Upper Bracket to Well Escape Ladder using 2 bolts (f) as indicated.
- 1b Attach Lower Bracket to Well Escape Ladder using 2 bolts (f). as indicated.
- 2 Attach T-Handle to Lower Bracket with screw (a) through indicated openings, and fasten with nut (g).
- 3a Align Spring as shown and attach to T-Handle with screw (b) through the 3rd set of attachment holes, as indicated. Fasten with nut (g). (For lighter grates use 1st or 2nd attachment holes.)
- 3b Align Lift Rod as shown and attach to T-Handle with screw (b) through 3rd set of attachment holes, as indicated. Fasten with nut (g). (Use the 1st or 2nd attachment holes to reduce how high the GrateLift will open the grate, if necessary.)

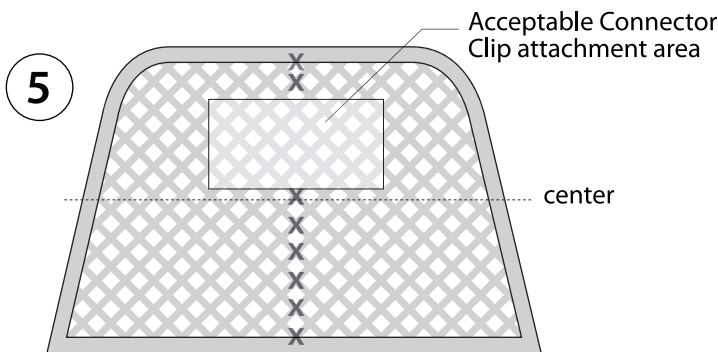
INSTALLATION
GL001, GL002, GL003



4a GL001 - Metal Window Wells:
 Hang Base Bracket on window well ledge (in the center is best, but closer to one side can still work). Fasten to well with two self-tapping screws (d) where it rests against metal as shown.

4b GL002 - Concrete Window Wells:
 Hang Base Bracket on window well ledge (in the center is best, but closer to one side can still work). Use a hammer drill and masonry bit to fasten one masonry screws (e) along length and two masonry screws (e) through upper flange as shown.

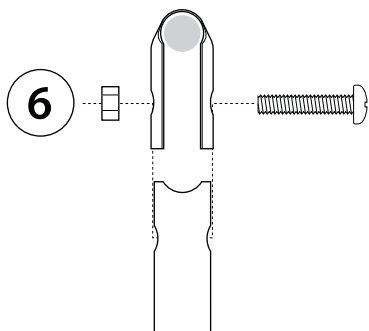
4c GL003 - Integrated Ladder System:
 Before moving any further with the installation of your GrateLift model GL003, make sure to securely install the Well Escape Ladder system it's attached to. Follow the instructions and safety guides provided in the packaging of your Well Escape Ladder System™.



NOTICE!

Steps 5-11 are the same for all three models of the GrateLift (GL001, GL002, GL003)

5 Lower grate until it is fully closed and locate its approximate center. Hang the Connector Clip on the grate in a position that is slightly forward of the center line and lined up with the GrateLift mounted to the window well.



6 While it is hanging from grate, fasten Connector Clip to Rod Extension with screw (c) and nut (g).

INSTALLATION

GL001, GL002, GL003

Ensure T-Handle is fully lowered and resting against the window well. With the aid of another person, lift grate high enough for the Rod Extension to be inserted in to the Lift Rod, then insert it.

7

Lower the grate completely, then fasten Rods together with Cotter Pin through indicated holes and make certain the GrateLift and all of its parts are aligned vertically.

8

With the aid of another person, raise the front of the grate until the T-Handle meets the Lift Rod and they latch together with the Locking Clip. The GrateLift should now be fully supporting the weight of the grate.

9

9 Locking Clip

CAUTION!

Ensure the T-Handle is locked into the Lift Rod before performing steps 10 and 11!

Some adjustment may be necessary (by slight bending) to the Locking Clip to insure proper function.

Slide threaded end of Eyebolt through hole in tab on the Base Bracket (Upper Bracket GL003) and fasten it with nut (g). Tighten nut only three turns.

10

Attach Spring to round end of the Eyebolt. Tighten the nut on the Eyebolt as much as possible.

11

Installation of your GrateLift is now complete.

To lower grate: Pinch Locking Clip to allow T-Handle and Lift Rod to be separated, then carefully lower the grate using the T-Handle.

Adjustments may be necessary for proper operation. Visit www.gratelift.com for more hints and helps for installing and using the GrateLift.

