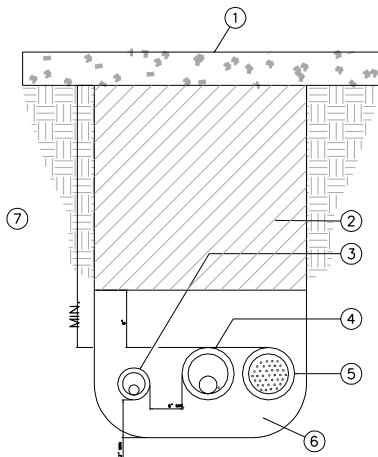


- ① SB-18SS, STRONG BOX 18" PEDESTAL CONTROLLER ENCLOSURE.
- ② QP-18, QUICKPAD 3/16" MIN. THICKNESS ALUMINUM POWDER COATED PREFORMED PAD
- ③ PVC SWEEP ELL STATIONS 1-24
- ④ PVC SWEEP ELL STATIONS 25-48 (IF APPLICABLE)
- ⑤ DIRECT BURIAL CONTROL WIRES TO CONTROL VALVES
- ⑥ 110-VOLT SERVICE IN CONDUIT
- ⑦ EV-CAB-COM CABLE 1" CONDUIT (IF APPLICABLE)
- ⑧ FINISH GRADE
- ⑨ 5/8"x8" COPPER GROUND ROD
- ⑩ BRONZE GROUND CLAMP
- ⑪ SUBGRADE COMPACTED TO 90%
- ⑫ QP-18, STRONG BOX QUICKPAD, MOUNTING BASE
- ⑬ FILL INSIDE BASE WITH 3/4" PEA GRAVEL
- ⑭ QUICKPAD FASTENING BRACKET (2)

CONTROLLER & ENCLOSURE

NTS



- ① HARDSCAPE SURFACE - SEE CIVIL PLANS
- ② BACKFILL MATERIAL - SEE NOTES
- ③ LATERAL LINE WITH SLEEVE
- ④ PRESSURE MAIN LINE AND TONER WIRE WITH SLEEVE
- ⑤ CONTROL WIRE SLEEVE (SAME SIZE AS MAINLINE SLEEVE)
- ⑥ BEDDING MATERIAL - SEE NOTES
- ⑦ MINIMUM COVER:
12" UNDER WALKS
18" UNDER STREETS

NOTES:
 1) SLEEVES 4" AND SMALLER USE PVC SCH. 40 PIPE.
 2) SLEEVES >4" USE PVC SCH. 40 PIPE.
 3) ALL SLEEVES SHALL BE TWO (2) TIMES LARGER THAN DIAMETER OF PIPE TO BE SLEEVED.
 4) INSTALL SLEEVES AT A DEPTH TO AVOID CONFLICT WITH OTHER UTILITIES AND MAINS.

SLEEVE DETAIL

NTS



STATEMENT OF USE
 THIS DOCUMENT AND ANY ILLUSTRATIONS HEREON ARE PROVIDED AS STANDARD CONSTRUCTION DETAILS WITHIN LINDON CITY. DEVIATION FROM THIS DOCUMENT REQUIRES APPROVAL OF LINDON CITY, LINDON CITY CORPORATION AND J-U-B ENGINEERS CAN NOT BE HELD LIABLE FOR MISUSE OR CHANGES REGARDING THIS DOCUMENT.



IRRIGATION DETAILS

LINDON CITY
100 NORTH STATE

STANDARD DRAWING NUMBER: **24e**
 CAD DWG: LC_Sle04e.dwg
 PLOT SCALE: 1:500
 DRAWN BY: CJC
 DESIGN BY: MLC
 CHECKED BY: MLC
 ADOPTED DATE: 01 FEB 11

REVISION			
NO.	DESCRIPTION	BY	APPR. DATE