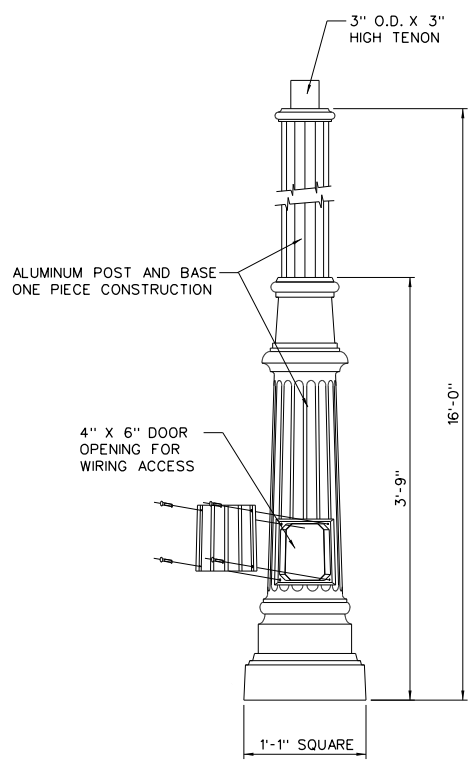
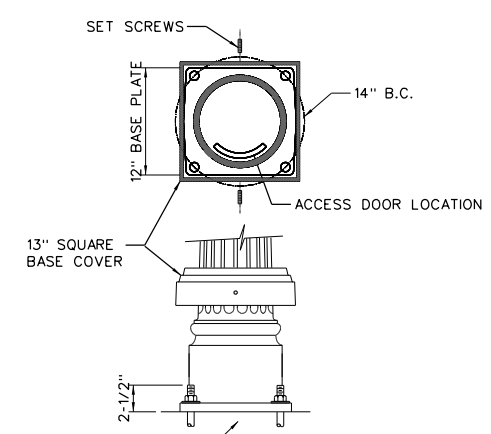


**LUMINAIRE DETAIL**  
CATALOG • ESL1104KASSB4SSPCSR



**POST DETAIL**  
CATALOG • SMA16F5J13PT1LABBK

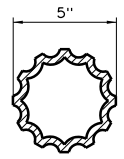


SEE CONCRETE OR SCREW FOUNDATION DETAILS ON STANDARD DRAWING • 23d

**ANCHORAGE DETAIL**

**ESPLANADE DETAIL**

HOLOPHANE CATALOG • SMA16F5J13PT1LABBK  
VGC72/1CABKH - BHDF13200BK  
ESL1104KASSB4SSPCSR



**5" DIA. FLUTED SHAFT CROSS SECTION**

APPROVED EQUAL PARTS MAY BE SUBSTITUTED FOR THE HOLOPHANE PRODUCTS SPECIFIED ON THIS STANDARD DRAWING.

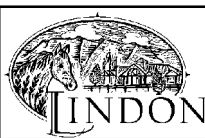


**STATEMENT OF USE**

THIS DOCUMENT AND ANY ILLUSTRATIONS HEREON ARE PROVIDED AS STANDARD CONSTRUCTION DETAILS WITHIN LINDON CITY. DEVIATION FROM THIS DOCUMENT REQUIRES APPROVAL OF LINDON CITY CORPORATION AND J-U-B ENGINEERS CAN NOT BE HELD LIABLE FOR MISUSE OR CHANGES REGARDING THIS DOCUMENT.

**REVISION**

NO.	DESCRIPTION	BY	APR.	DATE
1	CORRECTED NOTE	SAC	MLC	08/28/09
2	UPDATE HOLOPHANE CATALOG NUMBERS	EEA	MLC	11/20/14



**ESPLANADE LED STREET LIGHT**

LINDON CITY  
100 NORTH STATE

STANDARD DRAWING NUMBER: **23b**

CAD DWG-LOC_Std0wgs.dgn	PLOT SCALE: 1,000
DRAWN BY: CJC	DESIGN BY: MLC
CHECKED BY: MLC	ADOPTED DATE: 07 APR 15