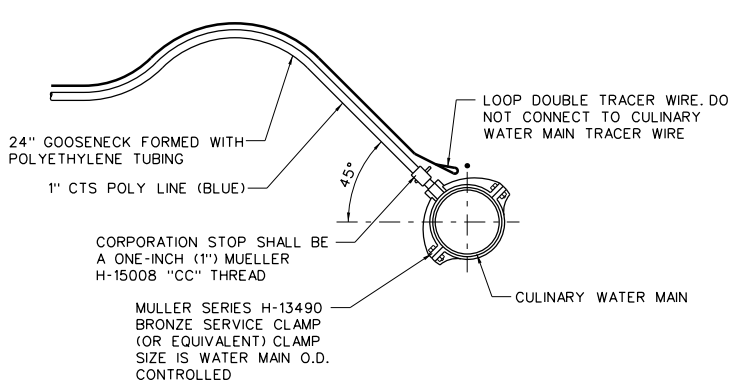


DIRECT TAP ON D.I. PIPE



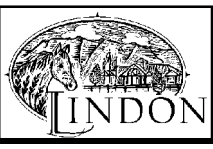
TAP ON PVC PIPE

- NOTE:
- METER BOX AND SETTER INSTALLED BY DEVELOPER/CONTRACTOR.
 - WATER SERVICE TO BE STUBBED AT CENTER OF LOT.
 - ALL CONNECTIONS SHALL BE MADE USING PACK JOINTS (COMPRESSION) TYPE FITTINGS.

LINDON CITY CORPORATION WATER SERVICE INFORMATION					
SERVICE SIZE	METER BOX SIZE	TYPE OF MATERIAL FOR METER BOX	WATER METER	CONNECTION TYPE	BYPASS
1"	21" DIA.	CORRUGATED	BY CITY	COMPRESSION	NO



STATEMENT OF USE			
THIS DOCUMENT AND ANY ILLUSTRATIONS HEREON ARE PROVIDED AS STANDARD CONSTRUCTION DETAILS WITHIN LINDON CITY. DEVIATION FROM THIS DOCUMENT REQUIRES APPROVAL OF LINDON CITY. LINDON CITY CORPORATION AND J-U-B ENGINEERS CAN NOT BE HELD LIABLE FOR MISUSE OR CHANGES REGARDING THIS DOCUMENT.			
REVISION			
1	CORRECT PART NUMBER CALLOUT	DM	M.C. 1/21/20
2	MODIFIED WATER METER LID PART NUMBER	M.C.	M.C. 1/21/20
3	CHANGE TYPE X COPPER LINE TO POLY LINE AND REVISE CALLOUT NOTES	EEA	M.C. 6/23/19
NO.	DESCRIPTION	BY	APR. DATE



TYPICAL CULINARY WATER CONNECTION

LINDON CITY
100 NORTH STATE

STANDARD DRAWING NUMBER:	16
CAD DWG: LC_Std0wgs.dwg	
PLOT SCALE:	1,000
DRAWN BY:	BKW
DESIGN BY:	DOT
CHECKED BY:	MJ
ADOPTED DATE:	7 JUL 15