

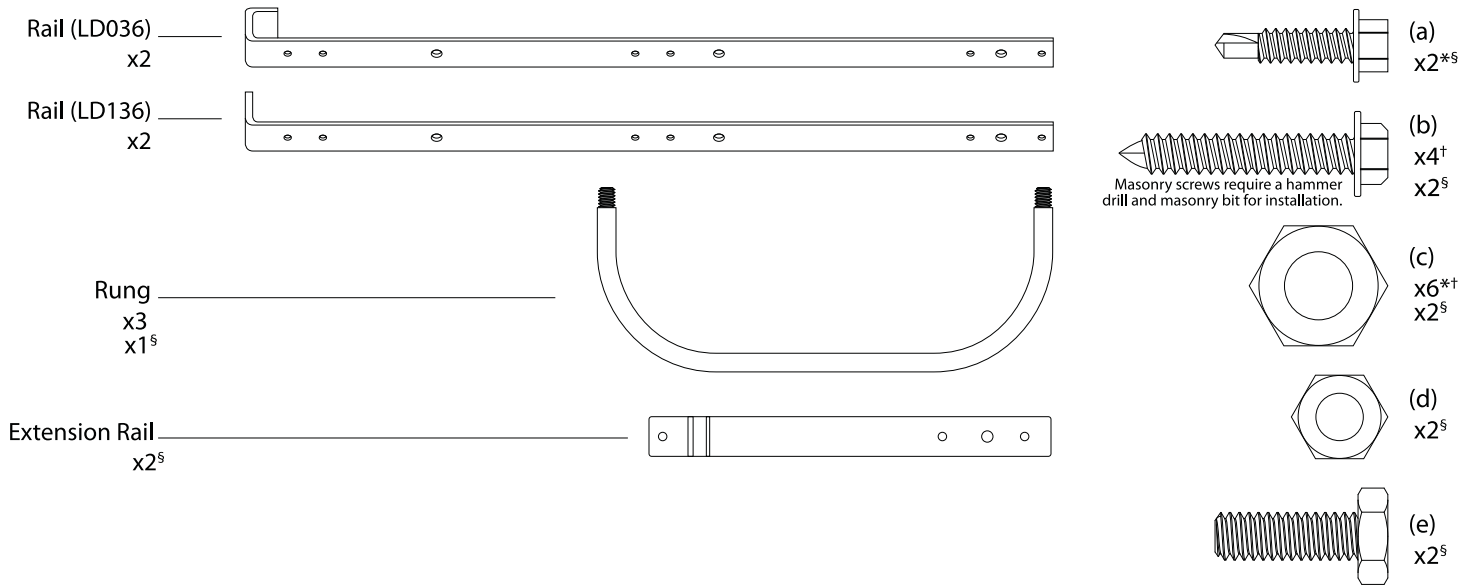
WELLESCAPE™ LADDER SYSTEM

Provides easy escape and service for window wells

NOTICE!

This manual covers assembly and installation instructions for both Well Escape™ ladder models: LD036 (for metal window wells), and LD136 (for concrete window wells) as well as model LD012 (12" ladder extension). Some instructions are specific to individual models. Please check your packaging to verify the model number that you have before you begin.

INCLUDED PARTS



*Included with model LD036
(for metal window wells)

†Included with model LD136
(for concrete window wells)

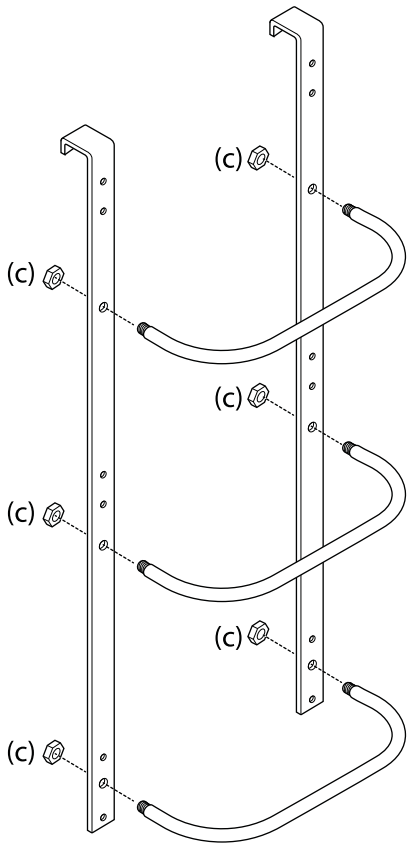
§Included with model LD012
(for ladder extensions)

ATTENTION

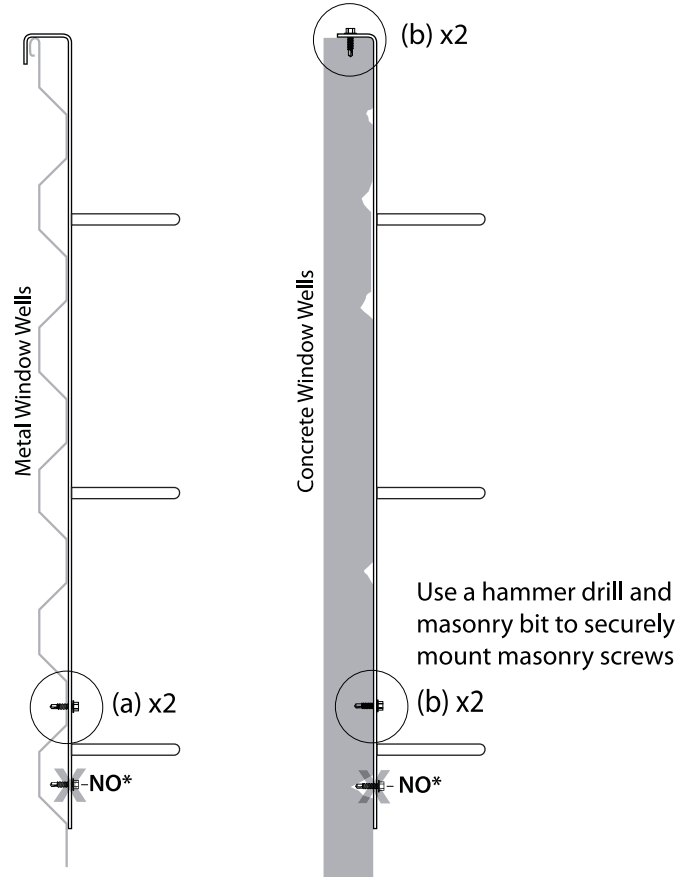
At SaferHome, your safety is our primary concern. Please read and follow all safety guides and instructions. Failure to do so may result in faulty assembly, improper installation and possible injury!

LD036/LD136 - Ladders

- 1** Securely fasten Rungs to Rails.



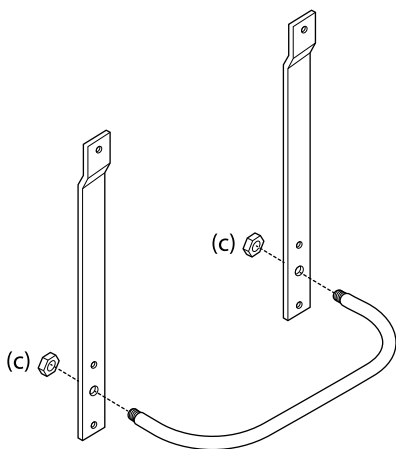
- 2** Position Ladder near center of window well and securely mount as shown.



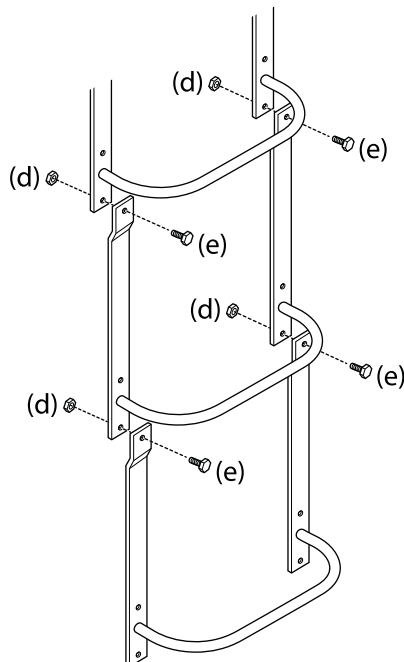
**Make sure mounting screws attach to the window well in areas that lie flush with the rails and are free from cracks or damage.*

LD012 - Ladder Extension

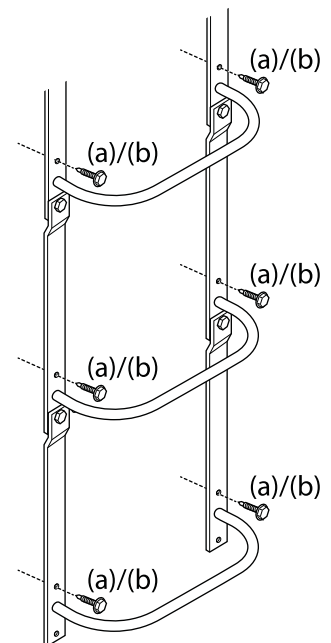
- 1** Securely fasten Rung to Extension Rails.



- 2** Securely fasten Extensions to bottom of ladder or other Extensions



- 3** Securely mount each Extension to window well.



Use (a) screws for metal window wells
Use (b) screws for concrete window wells